

# DokaXdek. The new dimension in slab construction.

**doka**

length × width × **versatility**





# Contents

<b>DokaXdek.</b>			
<b>The slab formwork system family.</b>	<b>4</b>	<b>DokaXdek panel floor formwork.</b>	<b>48</b>
The advantages.	6	The advantages.	50
<b>DokaXdek table.</b>	<b>8</b>	References.	62
The advantages.	10	Application.	64
References.	22	Index of articles.	68
Application.	26	<b>Concremote concrete monitoring</b>	<b>73</b>
Index of articles.	38	<b>DokaXdek I-frame.</b>	<b>74</b>
		<b>DokaXbot.</b>	<b>76</b>



More info  
in the image video:  
[www.doka.com/  
dokaxdek-imagevideo](http://www.doka.com/dokaxdek-imagevideo)

**Important information:** Always observe all relevant safety regulations (e.g. as issued by construction-industry employee safety organisations) applying to the use of our products in the country in which you are operating. In addition, the User Information booklets (Instructions for Assembly and Use), which contain information on standard system set-up and on compliant utilisation of Doka formwork systems, must also be observed. The artist's impressions in this brochure are illustrations for advertising purposes; the products are suitable for use only as described in the User Information booklet. Illustrations showing other situations during formwork assembly are not always complete from the safety point of view. Combining our formwork equipment with equipment from other manufacturers can be dangerous and always requires the user's separate verification. We reserve the right to make alterations in the interests of technical progress. DokaXbot and DokaXdek I-frame are demonstration versions. The formulations used in this brochure are gender-neutral. The pronouns "they" and "their", if used for the sake of simplicity and legibility and understood to be in reference to persons, are intended as gender-inclusive pronouns.

© Copyright by Doka GmbH

# DokaXdek.

## The slab formwork system family.

A slab formwork system that is versatile and combinable: DokaXdek is suited for all construction sites ranging from small residential projects to large construction sites. For any type of floor geometry DokaXdek ensures more safety, ergonomics and economy. Moreover, the DokaXbot enables a big step towards automation. DokaXdek consists of 3 slab formwork systems: DokaXdek table, DokaXdek panel floor formwork and DokaXdek I-frame. Each functions perfectly on its own and all three can be combined seamlessly. Doka is already taking a big step towards automation with the DokaXbot.

### DokaXdek panel floor formwork

length x width x **flexibility**

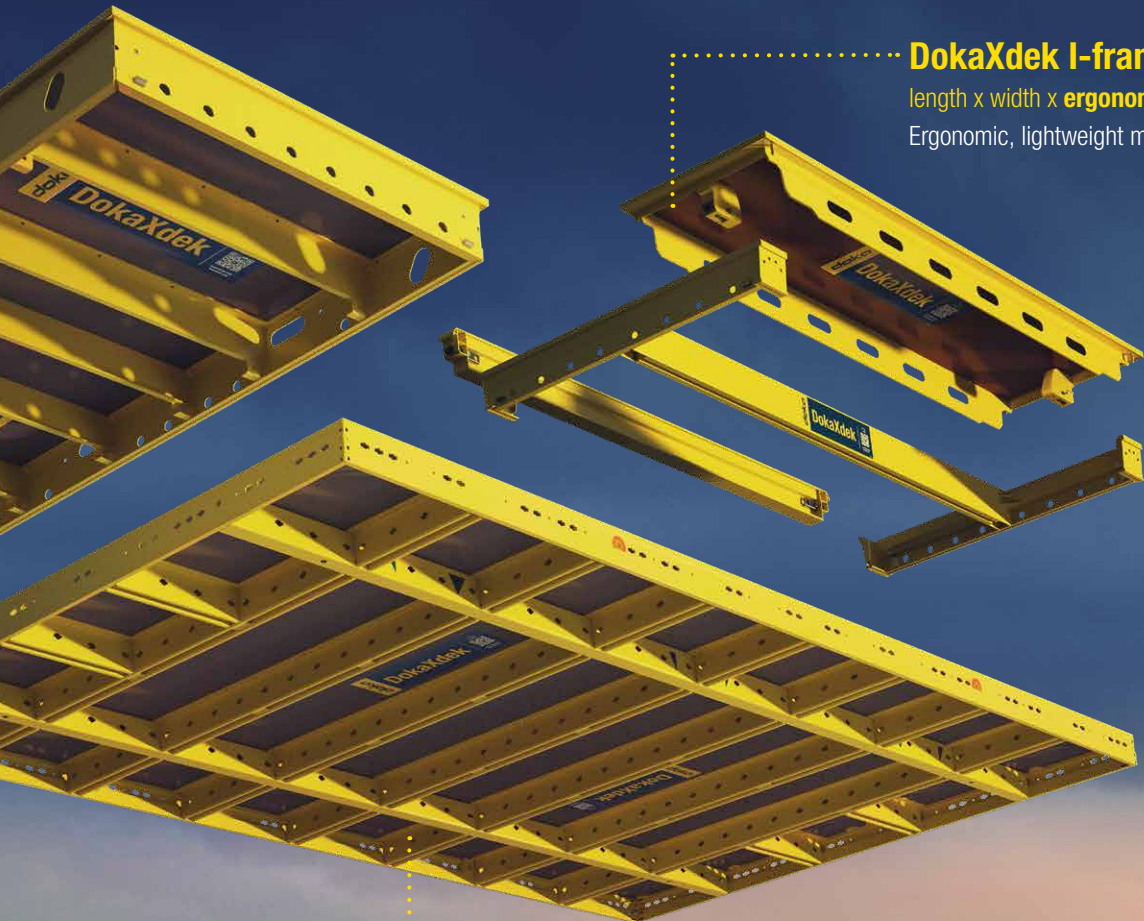
The fast and safe slab formwork system for flexible use from single-family homes to large construction sites

### DokaXbot

length x width x **automation**

Partly autonomous and safe set-up and stripping of DokaXdek panel floor formwork and DokaXdek I-frame





**DokaXdek I-frame**

length x width x **ergonomics**

Ergonomic, lightweight multi-talent

**DokaXdek table**

length x width x **economy**

The strong member of the DokaXdek family for large and medium-sized construction sites

length × width × **versatility**

DokaXdek table

DokaXdek panel floor formwork

DokaXdek I-frame

DokaXboot

# DokaXdek. The advantages.

The new dimension in slab construction.

**DokaXdek. length x width x versatility**

## Versatile

- Suitable from small residential buildings to large scale projects
- Combination of big table units with DokaXdek handset system (DokaXdek panel floor formwork and DokaXdek I-frame)
- Universal for all height levels and slabs with high thickness for all building geometries (from the thin balcony slab to massive drop beams)

## Ergonomic

- Working with lightweight parts from the ground
- Reduce the workload of site personnel and increase productivity thanks to DoKart plus and DokaXbot\* (\*Demo version)





## Economical

- Fast construction progress thanks to suitable system solution for every site situation
- Speedy workflows (tableforms up to 12.5 m<sup>2</sup> in size)
- Durable and high-quality components, e.g. Xlife sheet

## Transparency for more sustainability!

We have computed the CO<sub>2</sub>e footprint of DokaXdek and more than 6,000 other products. Consequently, our customers can opt for the product with the smaller CO<sub>2</sub> footprint and contribute to improving balance in their own climate accounting. For us, the CO<sub>2</sub> footprint is an important basis for more eco-friendly product development.



More info in the 3D model:  
[www.doka.com/dokaxdek-3D](http://www.doka.com/dokaxdek-3D)

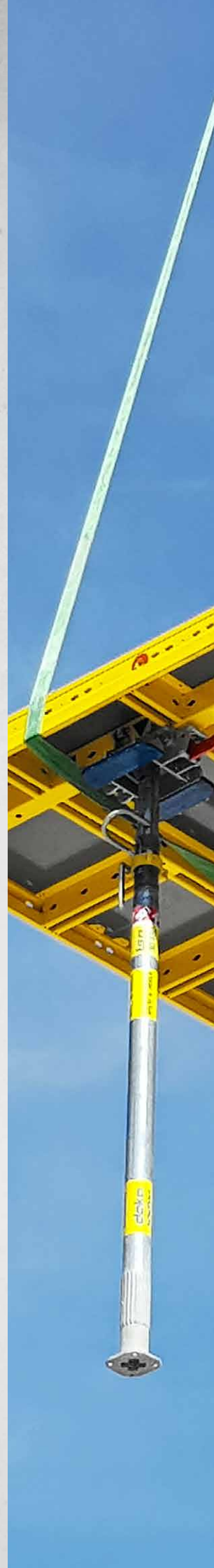


## Safe

- Safety during assembly and wind thanks to smart anti-liftout guard (guard can be deactivated if required)
- DokaXdek table: Safe working conditions due to high stability and variable positioning of the swivel head
- Safe system connection between table and handset system

# DokaXdek table.

length × width × **economy**







DokaXdek table



# DokaXdek table. The advantages.

length x width x **economy**

The DokaXdek table is the strong member of the DokaXdek family suited for medium and large construction sites. With table sizes up to 12.5 m<sup>2</sup>, the DokaXdek table is especially advantageous for coverage of large formwork areas, scoring extra points for speediness, profitability and safety. The galvanised steel frame and the Xlife sheet make the DokaXdek table very durable and also easy to clean. A seamless transition to the DokaXdek handset systems and to Dokaflex is implemented in the system.

## Economical

- Transport and storage space optimisation:
  - low volume thanks to frame height of only 12 cm
  - possible either with or without swivel heads
- Handling by one person and crane-independent repositioning with DoKart plus and Table Lifting System (TLS)
- Durable Xlife sheet and robust, hot-dip galvanised steel frame in Doka quality
- Easy cleaning due to screwing from the back side
- Shifting of larger units with coupled DokaXdek tables possible



Cost-saving yard storage

DokaXdek table in use



## Versatile

- Slabs up to 108 cm thickness
- Seamless transition to DokaXdek handset system (DokaXdek panel floor formwork and DokaXdek I-frame)
- Logical system grid for any combination of DokaXdek tables in the longitudinal and transverse directions
- High propping height thanks to table frames and combination with Doka load-bearing towers
- 4 table sizes: Length: 4.00 m / 5.00 m; Width: 2.00 m / 2.50 m

More speed,  
so lower  
labour costs



Easy repositioning with the DoKart plus

## Ergonomic

- Easier swivel-head mounting by hooking in safety pin
- Effortless working thanks to the use of jobsite-compatible DoKart plus

Swivel head



## Safe

- High stability, due to 1.50 m spacing between props in transverse direction
- Flexible positioning of the swivel head on longitudinal profiles and cross profiles enables safe use, e.g. for balconies
- Swivel head with locking function for safe lifting over parapets or railings
- Combinable with Xsafe edge protection XP and table platforms

# Economical. Transport and storage.

Design saves on costs for transport and storage

## Space-saving storage of DokaXdek tables

With an overall height of only 12 cm, the DokaXdek table has very low transport and storage volume, so takes up less space in yard storage and on jobsites.



## Compact loading of DokaXdek tables

The DokaXdek tables can be transported and stored with or without swivel heads installed. Up to 520 m<sup>2</sup> of slab formwork can be transported in a single truck load.



## Economical. Durable and robust.

Quality that pays off.

Ready for decades of jobsite usage thanks to galvanised, robust frames



**High-strength, long-lasting steel frame with tried-and-tested Xlife sheet**

### Low lifecycle costs

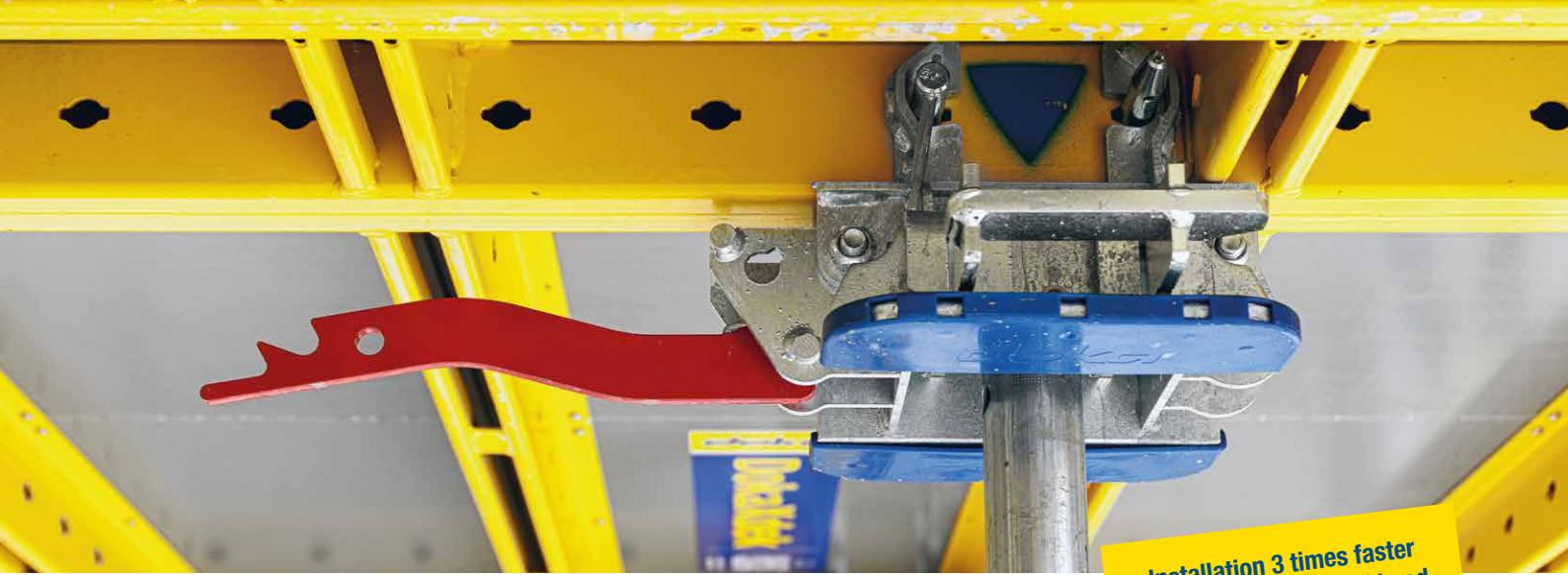
- Steel frames are fully hot-dip galvanised, both inside and out, for an extra-long lifespan, cathodic dip coated surface
- Fewer costly sheeting changes because the high-quality Xlife sheet has been improved and now has an innovative, glass fibre reinforced plastic face layer

### Concrete result

With the DokaXdek table reworking and reconditioning costs are saved. Thanks to the tried-and-tested Xlife sheet which is bolted on from the back, there are no unsightly marks of screwheads or rivets in the surface of the concrete.

The Xlife sheet ensures consistently good-quality concrete surfaces over many years and guarantees easy cleaning of the formwork.





Installation 3 times faster with DokaXdek swivel head

# Ergonomic. The swivel head.

Easy 1-person assembly thanks to hook-in design.

The DokaXdek swivel head is the strong connecting element between the DokaXdek table and the Eures floor prop.

## Ergonomic and easy installation of the DokaXdek swivel head

The swivel head hooks over the safety pin inserted beforehand at the appropriate position in the primary profile or function profile. The head is then swivelled up into place and pinned with the safety pin with anti-dropout lock function. No threaded fasteners and no additional safety measures.



1. Hook over safety pin



2. Swing the panel up into place



3. Insert pin to secure

## Floor-prop connection with wedge

The floor prop is installed without threaded fasteners. Floor props are quick to connect, with wedge clamped join (hammer-operated).



# Safe. The swivel head.

Safe repositioning complete with all floor props installed.



100 %  
securely  
locked



### Swivel function

The swivel function of the DokaXdek swivel head enables safe repositioning with the floor prop permanently installed and secured in either of two locked positions.





## Ergonomic. Repositioning.

Convenient and fast repositioning of large-area tableforms.



### Repositioning with Framax transport bolt

Marked lifting points on the DokaXdek table frame enable safe repositioning of up to four stacked tables in a single crane lift.



At least 4 times faster due to transport and storage with DokaXdek swivel heads installed

### Safe storage and transport of DokaXdek tables with swivel head installed

The special protective cover protects the formwork sheeting against localised compression, saving time during the set-up procedure.







## Simple moving of the DokaXdek tables with the DoKart plus

The tried-and-tested DoKart plus enables crane-independent transportation on the construction site and large-scale repositioning of DokaXdek tables.



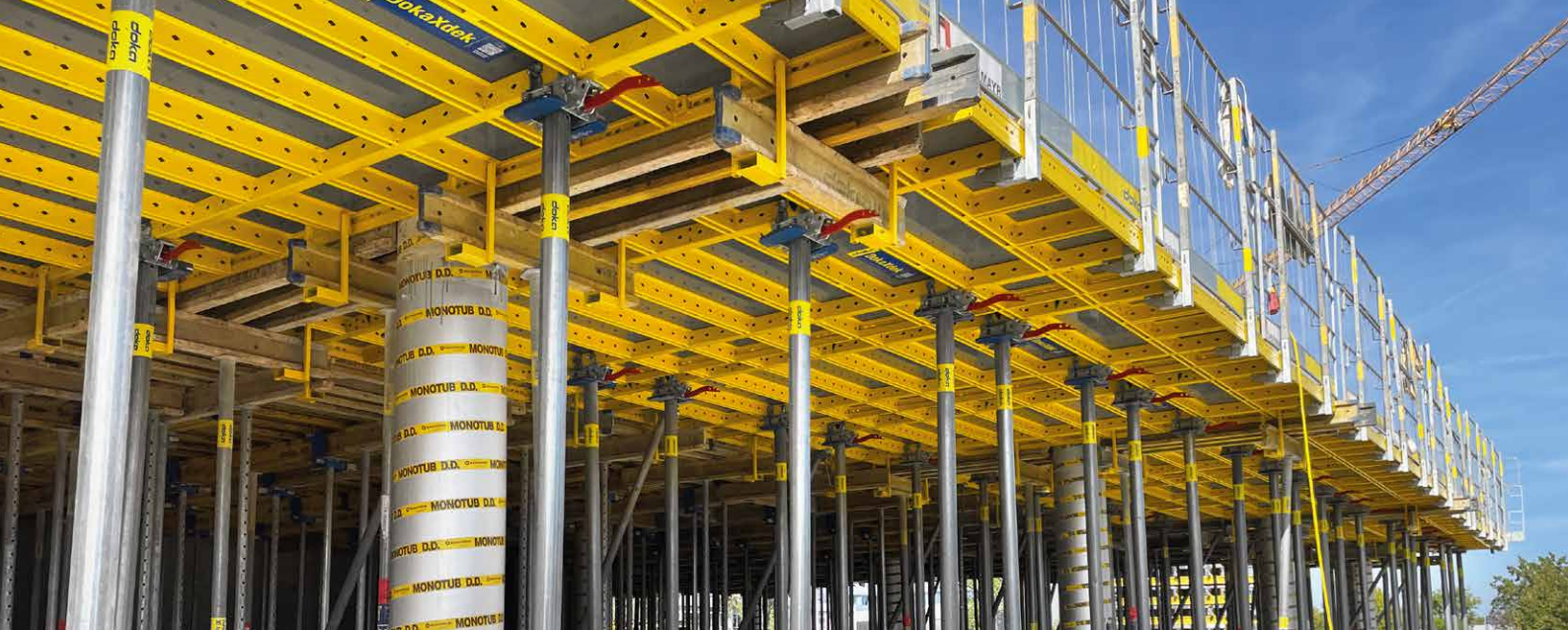
## Repositioning with transport fork and crane

The transport fork is used for the vertical repositioning of DokaXdek tables. Two interconnected DokaXdek tables can be repositioned as a unit in a single crane lift – that saves on crane capacities.



## Repositioning with Doka loading platform or Table Lifting System TLS

Optimised repositioning of the DokaXdek tables minimises crane time.



## Versatile. Quick and easy closure.

Closures resolved in the system.

### Versatile closure solutions

Closure zones between DokaXdek tables, at table-to-wall junctions and around structural columns can be filled by 3 methods for 3 sheeting thicknesses (18 mm, 21 mm, 27 mm) and the closures repositioned safely together with the tables. The reduction in floor props and accessory materials translates into significant advantages in terms of time and profitability.

- Squared timber supports in combination with squared timber and formwork sheeting
- Beam supports in combination with H20 beam and formwork sheeting
- Suspension clamps with H20 beam for infill zones between DokaXdek tables and continuation of the formwork with Dokaflex

### Closures can be repositioned together with tables

Squared timber supports and beam supports safeguarded against liftout can be repositioned together with the DokaXdek tables.



# Versatile. Slab thickness and height.

Thick slabs and high room heights.

## Slab thicknesses up to 1.08 m

When used as 6-prop or 8-prop table, slabs up to 108 cm thick can be poured.

## Room heights up to 7.15 m

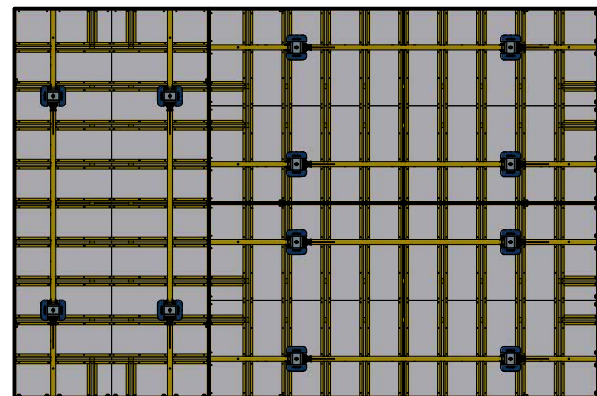
In the standard application the DokaXdek table in combination with Eureka floor props manages a floor-to-ceiling height of 5.65 m. The table frame 1.50m extends the DokaXdek table's range to room heights up to 7.15 m.

Propping with Staxo load bearing towers is an option for even higher slabs.



# Versatile. System logic.

Optimised floorplan adaptability – more in-system area coverage – smaller closure area



## Logical system grid

The DokaXdek table formats create a logical system grid. The DokaXdek tables are freely combinable in the longitudinal and transverse directions. This logic is carried over in the 0.50 m function-profile centre-to-centre spacing of DokaXdek tables and table panels. This translates into great versatility and profitability.

### 4 table sizes

- 2.50 x 5.00 m
- 2.00 x 5.00 m
- 2.50 x 4.00 m
- 2.00 x 4.00 m



## Safe. DokaXdek table as balcony table.

---

Safe use as balcony table thanks to versatile swivel head.



### Versatile DokaXdek swivel head

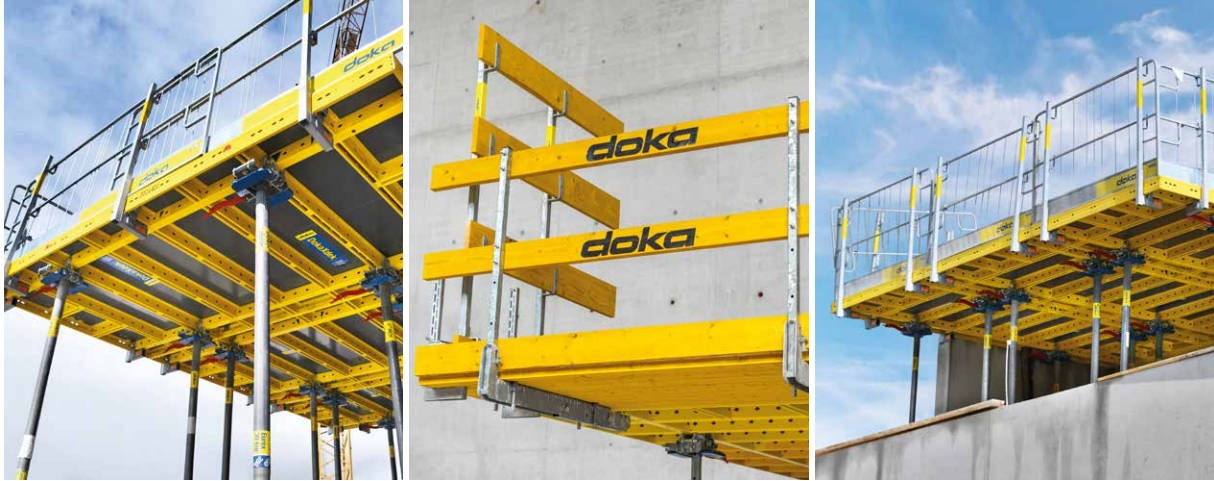
The DokaXdek swivel head can be pinned into any of the holes in the longitudinal or cross profiles. It can be turned 90° and secured in any of the holes in the cross profiles. This provides tremendous versatility on site.

# Safe. At the slab edge.

New standard of safety at the slab edge.

## Combinable with Xsafe edge protection XP and table platforms

For a high level of safety at the slab edge, the DokaXdek table can be combined with the Xsafe edge protection XP system and with table platforms. The wide centre-to-centre prop spacing of 1.50 m ensures a high degree of stability.



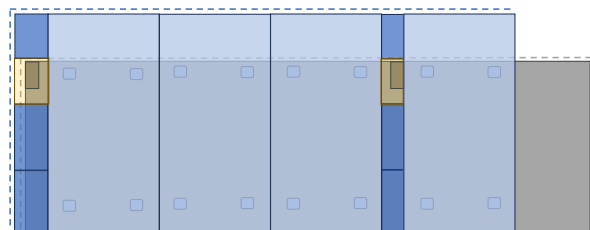
# Versatile. At the slab edge.

Safe closure of the formwork around structural columns at the slab edge.



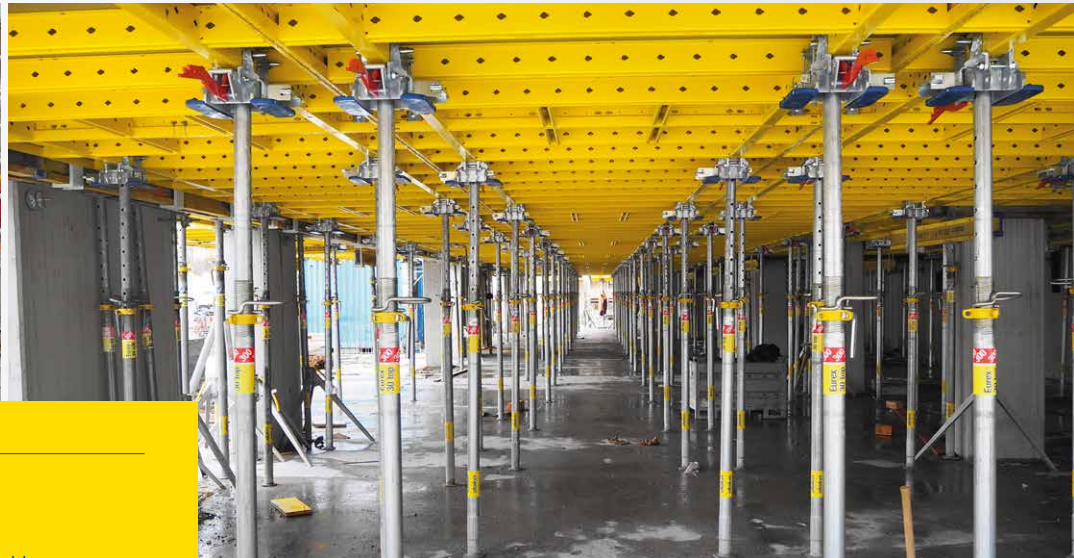
The system solution reduces labor costs and increases safety

With DokaXdek table panels, infill zones and structural columns can be easily formed within the system. Xsafe edge protection XP provides the necessary safety at the slab edge.



# DokaXdek table. References.

length x width x **economy**



## Project solution

Due to its optimal adaptability, the DokaXdek table significantly simplifies the construction of the underground parking facility. The DokaXdek tables, which are up to 12.5 m<sup>2</sup> in size, achieve a high formwork speed. Their easy handling allows for efficient working methods, which significantly contributes to successful construction progress and relieves the site personnel.

## Company HQ, MIC customs solutions, Linz, Austria

In Linz, MIC customs solutions is building its new company headquarters with space for up to 500 employees. Along with modern office spaces and variable room layouts, the facility will also have a two-level underground parking facility with some 190 parking spaces. The construction of the underground parking facility with complex geometries and varying slopes requires innovative formwork solutions.



“DokaXdek tables make slab formworking super-quick and efficient.”

**Dominik Kaar,**  
Foreman at  
Swietelsky AG

**Location:** Linz, Austria

**Construction work by:** Swietelsky AG

**Construction time:** autumn 2022 – spring 2024

**Products used:** DokaXdek tables, DoKart plus, Framax Xlife plus, Xsafe edge protection XP

**Services in use:** Concremote concrete monitoring

### Challenges:

- 2-level underground parking facility with different inclinations and angles of intersection
- Pre-cambers, stepped floors and short lead time for planning

# Dalgårdstunet, Trondheim

In Trondheim, Norway, the Gauldal Betong AS company acquired DokaXdek tables. Gauldal Betong AS utilised DokaXdek tables for the first time on the residential development project, Dalgårdstunet. The project called for placement of approximately 9,000 m<sup>3</sup> of cast-in-place concrete. With the new DokaXdek slab formwork, Doka took another step towards customer retention and was able to delight the customers.

**Location:** Trondheim, Norway

**Construction work by:** Gauldal Betong AS

**Construction time:** 2 years

**Products used:** DokaXdek table, Framax Xlife, DokaXlight, Dokadek 30, Folding platform K, Column formwork RS

**Services in use:** Concremote concrete monitoring

## Challenge:

9,000 m<sup>3</sup> cast-in-place concrete



“We particularly like the four logical DokaXdek table format. The slab formwork system is modular, so the tables can be combined in any number of ways. The closure-zone solution is versatile and work proceeds quickly with suspension clamps and H20 beams. With the DokaXdek table, we notice that Doka incorporates feedback and advice from customers in the development of their products.”

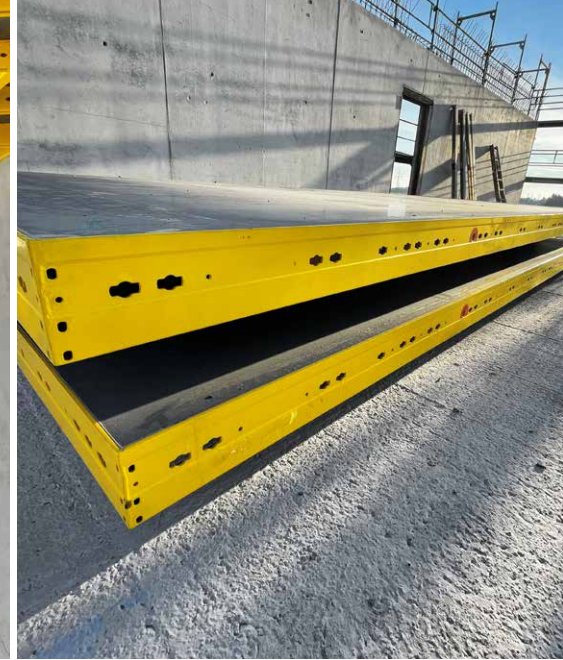
## Jostein Flatås

Owner of Gauldal Betong AS



## Project solution

DokaXdek tables impress with their high efficiency and speed for forming slabs of all kinds. They offer a high level of safety at the slab edge and when used as balcony formwork. DokaXdek tables are extremely robust and designed for many years' use in construction.



## Project solution

With the large-format DokaXdek tables, the team at Hafner Hoch- und Tiefbau GmbH is making rapid progress on the shell construction work. The large table panels, with their logical system grid and surrounding frame, allow the tables to be seamlessly aligned. This reduces the closure zones to the area around structural columns and achieves an appealing concrete finish.



"Forming and repositioning with the new slab tables is extremely easy and quick. The surrounding frame eliminates closure zones, saving additional time and improving the concrete finish. Thanks to the low construction height, transport costs are reduced. A clear recommendation from my side."

### Zsolt Mikuska

Site engineer at Hafner Hoch- und Tiefbau GmbH

## Business premises, Augsburg, Germany

The four-storey commercial building with an underground car park in Neusäß near Augsburg is intended to impress not only with its strategically advantageous location near the university hospital but also with its modern, "clean" architecture. Specifically, at the client's request, special attention must be paid to achieving an even concrete finish on the visible surfaces during the construction of the slabs. This requires a formwork system that minimises closure zones as much as possible.

**Location:** Täferingen district of Neusäß near Augsburg, Germany

**Construction work by:** Hafner Hoch- und Tiefbau GmbH, Bobingen

**Shell construction time:** March 2022 – December 2022

**Products used:** DokaXdek table, Dokamatic, DoKart plus, Framax Xlife

### Challenges:

- Short construction time and tight scheduling
- Increased requirements on the appearance of the fair-faced concrete



# Heidepark Munich

In Munich Schwabing-Freimann, a residential and commercial complex with over 250 residential units, including an underground parking facility, is being built as part of the new Heidepark district. For timely construction progress, a powerful and versatile slab formwork system is required, which allows large areas to be realised quickly and economically and can also meet special requirements, such as massive drop beams and slab thicknesses of up to 80 cm.

**Location:** Munich, Germany

**Construction work by:** S. Pöttinger GmbH & Co. KG

**Shell construction time:** September 2022 – July 2023

**Products used:** DokaXdek table, DokaXdek panel, Dokamatic table, DoKart plus, Xsafe edge protection XP, Framax Xlife plus, Folding platform K, Load-bearing tower Staxo 100

## Challenges:

- Massive drop beams (depth 50 to 100 cm, width 100 cm)
- Slab thicknesses up to 80 cm for the underground parking facility
- Approximately 1,500 running metres in total for balconies and arcades



**Michael Drexler,**  
Lead foreman  
S. Pöttinger  
GmbH & Co. KG

“DokaXdek is a genuine allrounder. We were using the tables from the basement up to the roof and even for the balconies and thanks to the easy handling we saved time and money and wear and tear on our nerves as well. Personally, I reckon it’s the best floor formwork.”

## Project solution

In addition to time-saving use as slab and drop-beam formwork, the crew from the Pöttinger construction company also uses DokaXdek tables to support the precast concrete balcony elements. With their permanently installed edge protection, the tableforms offer workspaces with all-round safety for erection of the balconies and arcades without any need for extra façade scaffolding. This way, several thousand square metres of scaffolding can be saved, while still ensuring a very high level of safety for the construction team.

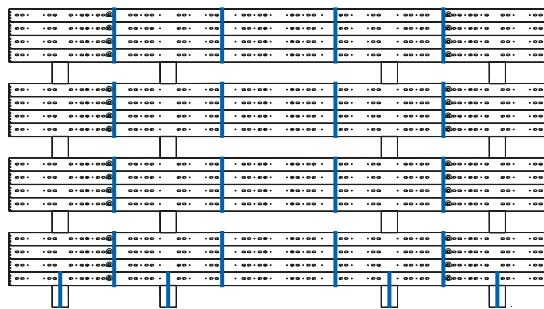
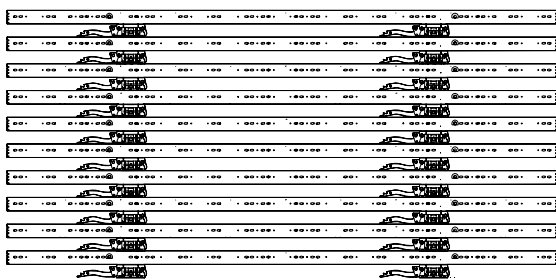


# DokaXdek table. Use.

length x width x **economy**

## Transport and storage

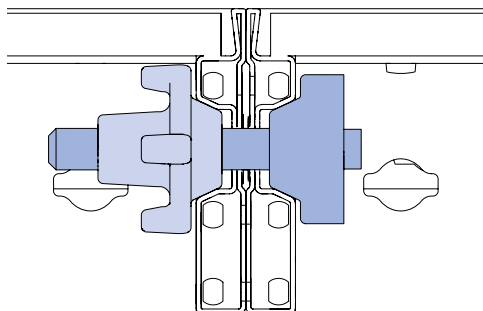
DokaXdek tables can be stored and transported with or without swivel heads installed.



## Interconnecting tables

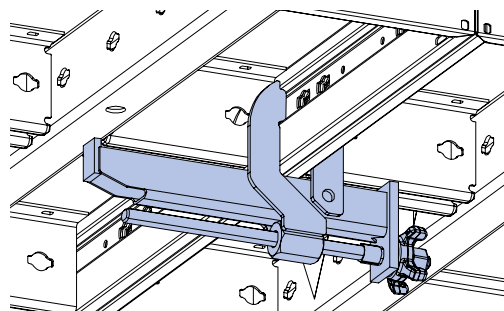
### Typical zone

With Centring connectors 15.0 and Centring nuts 15.0 in the holes in the frame profiles. This automatically brings the tables into parallel alignment.



### Tables offset

DokaXdek tables offset to each other are pulled firmly and tightly together with the Adjustable clamp T.



The following are excerpts from the User Information booklet (UI). The contents of the User Information booklet must be taken into account for planning and implementation.

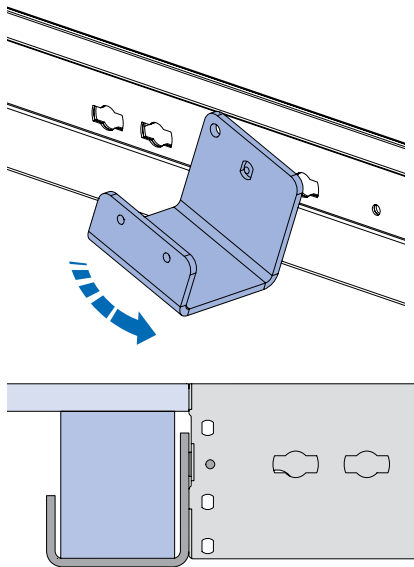
More on this in the DokaXdek Table User Information booklet.  
[www.doka.com/dokaxdek-table-ai](http://www.doka.com/dokaxdek-table-ai)



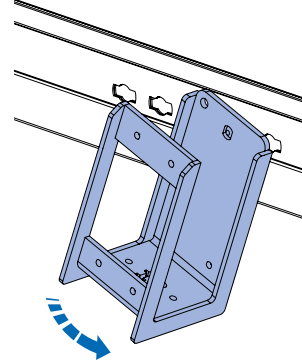
# Closure zones

Squared timber supports and beam supports make it easy to fill closure zones and infill zones with strips of formwork sheeting laid on squared timbers or Doka H20 beams. Squared timber supports and beam supports slot easily into engagement in the holes in the frame profiles.

## Squared timber support

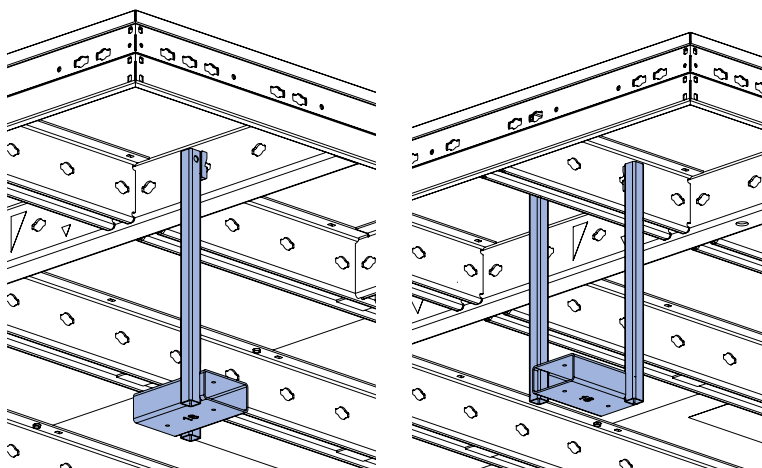


## Beam support



## Suspension clamp T

For constructing closures using strips of formwork sheeting, and Doka H20 beams are for transitioning to Dokaflex

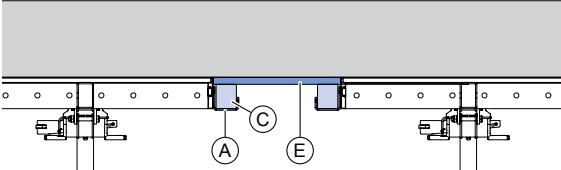


**Installation:** Engage the suspension clamps in the holes in the primary profile or function profile, as applicable.

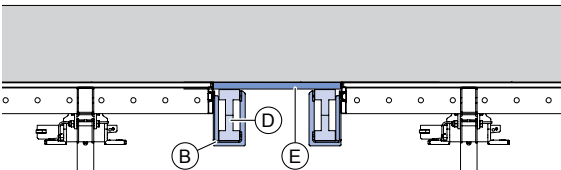
# Practical examples, closures with DokaXdek tables

## Closures between DokaXdek tables

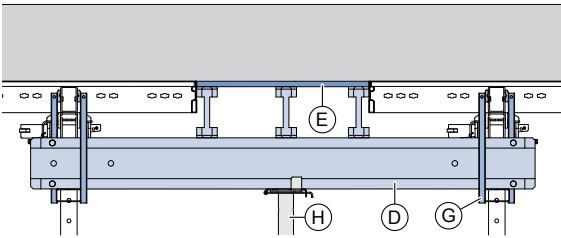
With squared timber supports



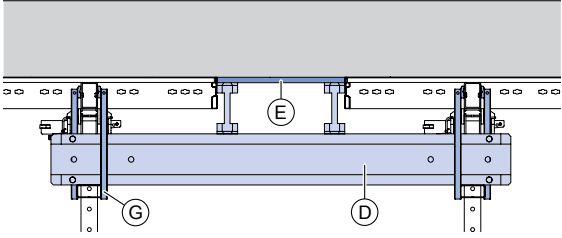
With beam supports



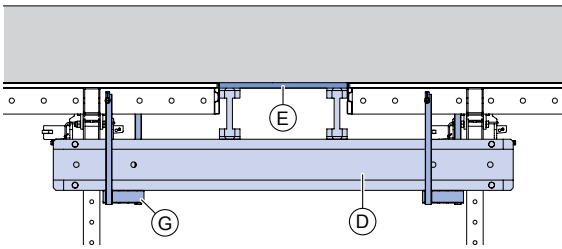
Suspension clamps in the primary profile



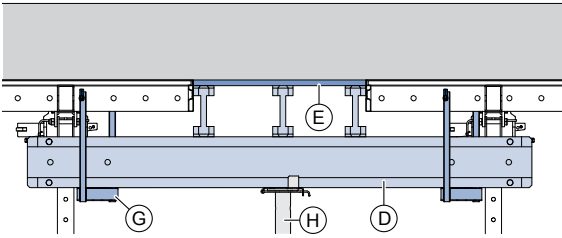
Suspension clamps in the primary profile



Suspension clamps in the function profile  
(between primary profile and frame profile)

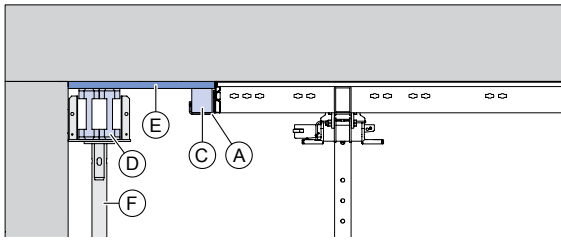


Suspension clamps in the function profile

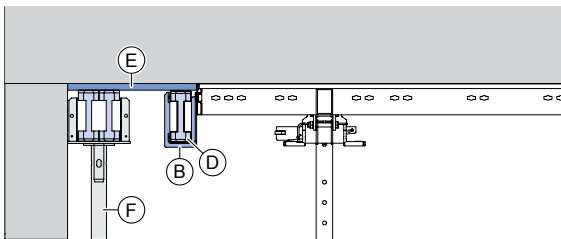


## Closures along wall connections

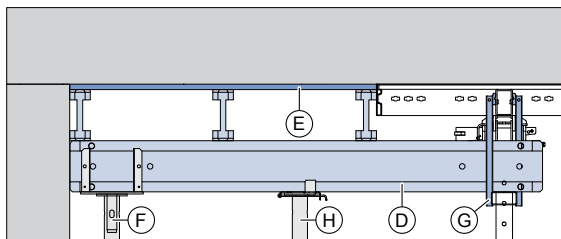
### With squared timber supports



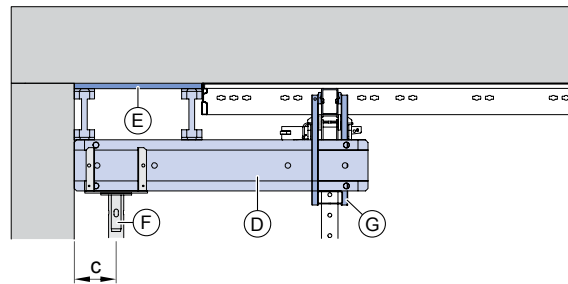
### With beam supports



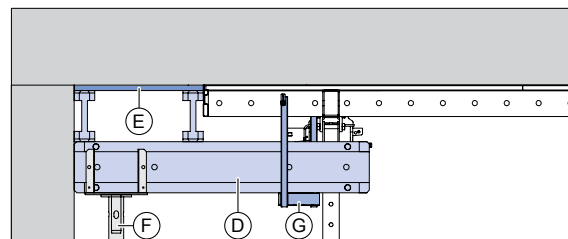
### Suspension clamps in the primary profile



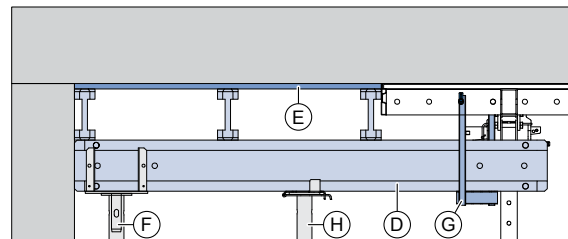
### Suspension clamps in the primary profile



### Suspension clamps in the function profile (between primary profile and frame profile)



### Suspension clamps in the function profile



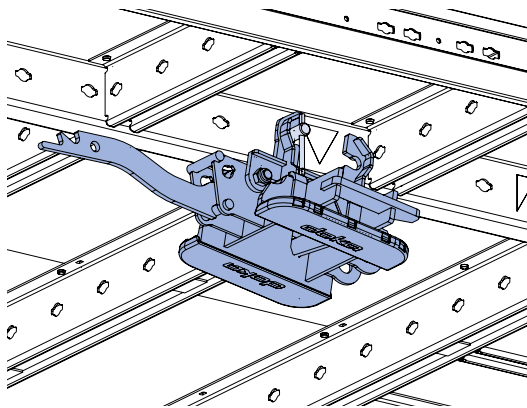
- A** DokaXdek squared timber support 8x10cm
- B** DokaXdek beam support H20 18mm, 21mm or 27mm
- C** Squared timber 8 x 10 cm (C24 grade)
- D** Doka beam H20
- E** Formwork sheet 18mm, 21mm or 27mm
- F** Floor prop Eurex 30 top or Eurex 30 eco + 4-way head H20
- H** DokaXdek suspension clamp T 18mm, 21mm or 27mm
- H** Floor prop Eurex 30 top or Eurex 30 eco + Supporting head H20 DF

# DokaXdek swivel head

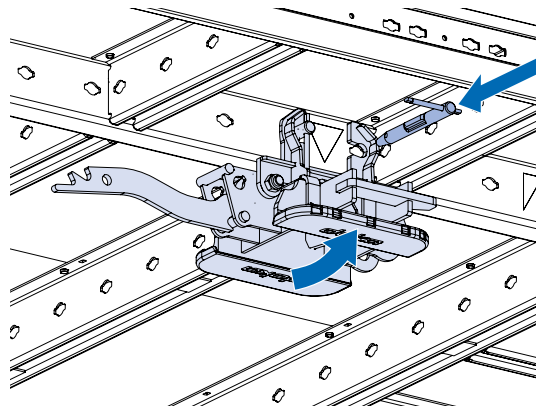
The DokaXdek swivel head can be pinned into position in the holes in primary profiles and function profiles.

## Ergonomic and easy installation of the DokaXdek swivel head

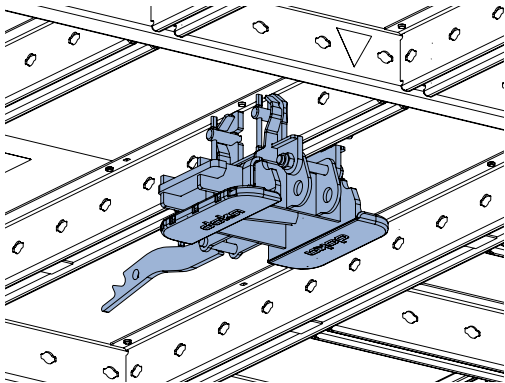
**Hook DokaXdek swivel head into place.**



**Swing the DokaXdek swivel head up, install the safety pin in the primary profile and turn the pin by 90°.**

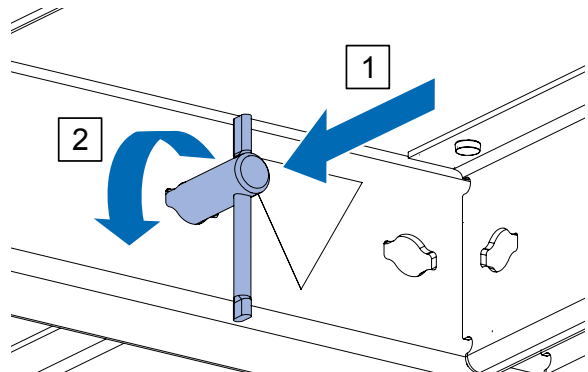


## Installation of the DokaXdek swivel head on the cross profiles



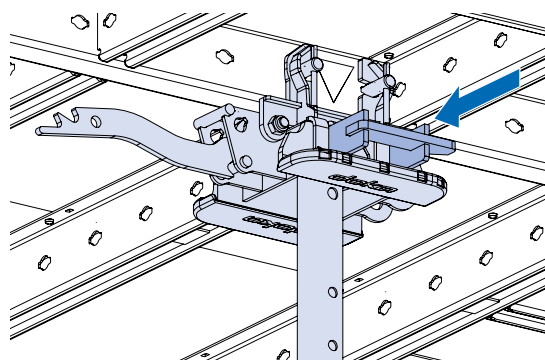
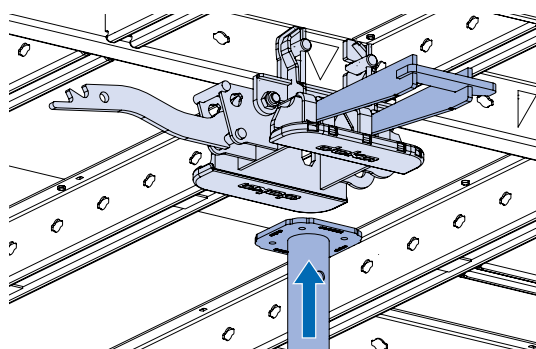
Reduced load-bearing capacities apply when swivel heads are pinned into the cross profiles! See the section headed 'Installation of swivel head' in the DokaXdek Table User Information booklet.

## Safety pin D20 195



The safety pin is a versatile and safe connector for many applications of the DokaXdek table. Pin safety pins into the primary profile or function profile and turn each pin through 90°.

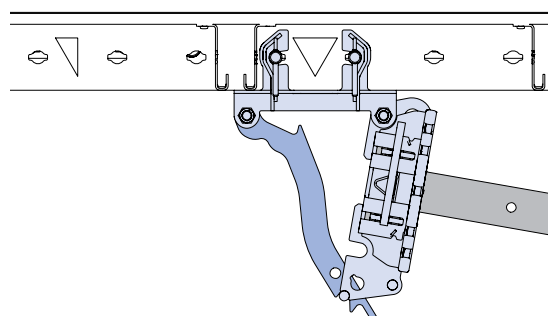
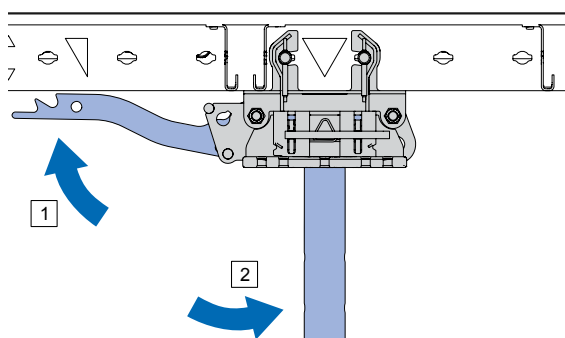
## Easy installation of the floor prop in the swivel head with wedge-clamped joint and hammering tight



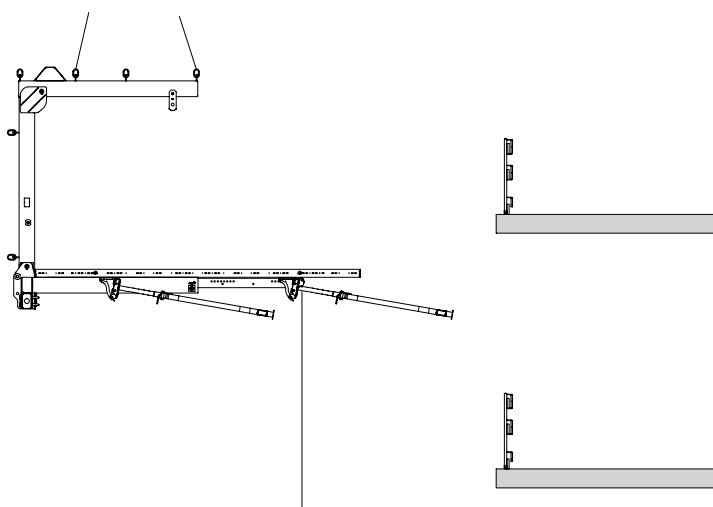
Tighten the wedge with the hammer.

## Swivel head swivelled for repositioning over railings or parapets

Two swivel positions: lock engaged at 80° or 90°



Move the table out and lift it to its new location.



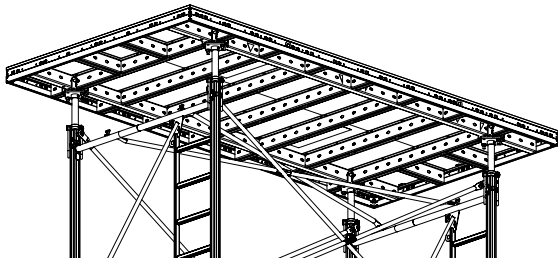
# Height adjustment

## Room heights up to 5.65 m

For heights up to 5.65 m, the DokaXdek tables are levelled with Doka floor props.

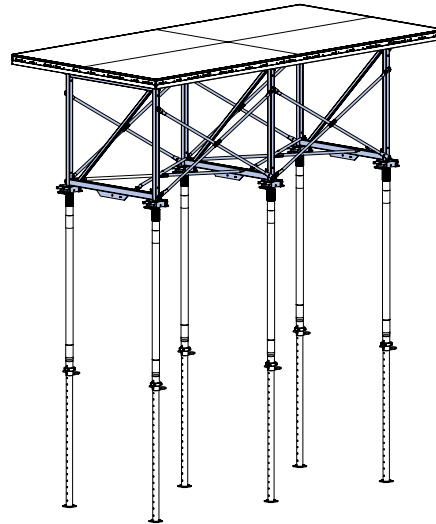
## Room heights over 7.15 m

If room height is higher than 7.15 m, DokaXdek tables can be set on top of Staxo 100 load-bearing towers.



## Room heights up to 7.15 m

Table frames 1.50m extend the area of application to cover room heights up to 7.15 m.



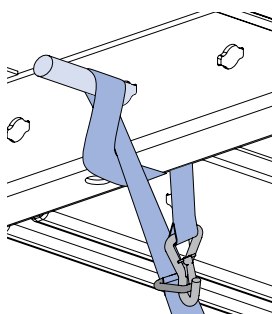
# Tie-back solutions

## Tie-back with Lashing strap 5.00m

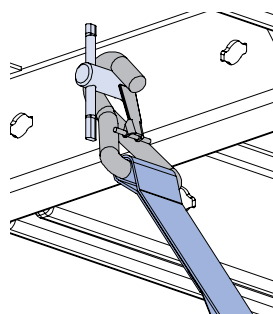
### Tie-back in primary profile or function profile

- Insert Tie rod 15.0 or safety pin into primary profile or function profile, as applicable.
- Loop a Lashing strap 5.00m round the Tie rod 15.0 or hook it to the safety pin and secure it to the floor.

### Practical examples with Tie rod 15.0

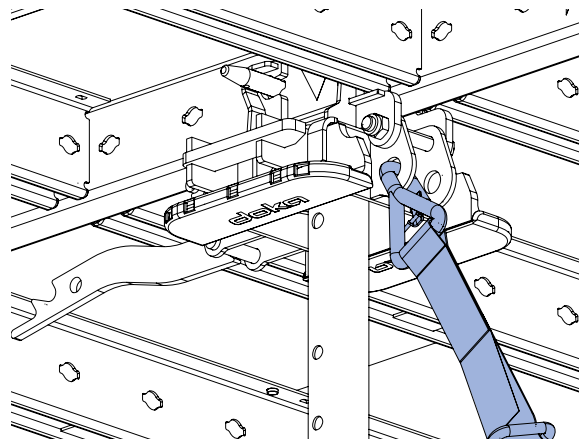


### with Safety pin D20 195



### Tie-back attached to the DokaXdek swivel head

Hook in the Lashing strap 5.00m directly to the DokaXdek swivel head.

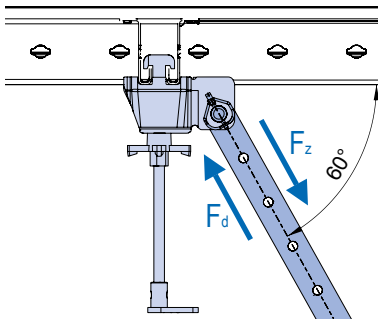
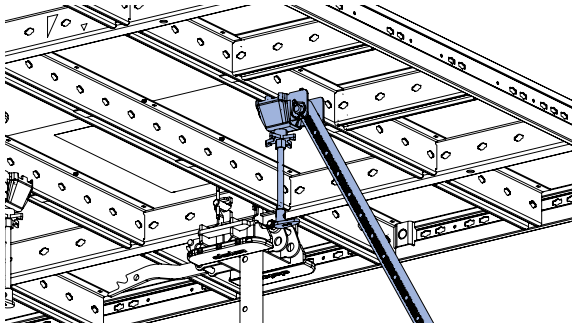




## Bracing at prop head

### Fixed at right angles to the function profile

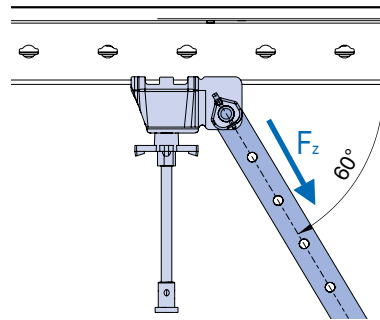
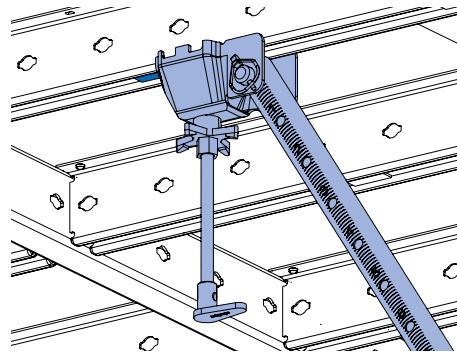
- Permitted tensile force  $F_z$  per plumbing strut: 13.5 kN
- Permitted compressive force  $F_d$  per plumbing strut: 7.5 kN



### Fixed in line with the function profile

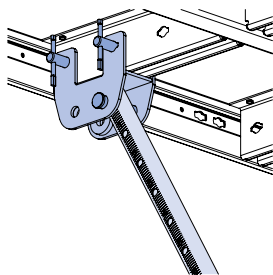
- Permitted tensile force  $F_z$  per plumbing strut: 5 kN
- Compressive loading of the plumbing strut is prohibited!

**Note:** Always install the prop head securely form-fitted to the primary profile or drawn metal sheet.

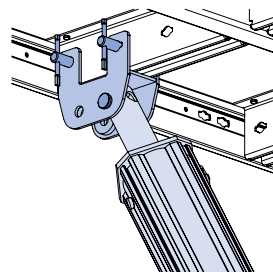


## Bracing attached to Plumbing strut adapter T

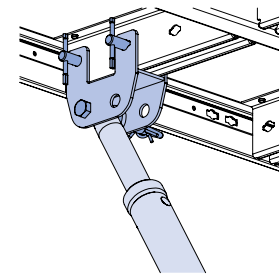
### Plumbing strut 340 IB or 540 IB



### Eurex 60 550



### Spindle strut T7



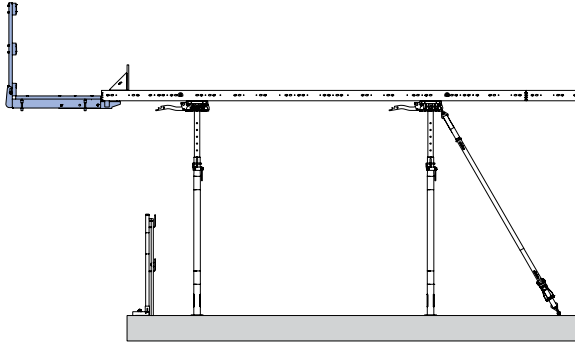
- **Support secured to the floor with 1 express anchor:**
  - Permitted tensile and compressive forces: 13.5 kN (60° propping angle)
- **Support secured to the floor with 2 express anchor:**
  - Permitted tensile and compressive forces: 27 kN (60° propping angle)
  - 13.5 kN or more: Comply with the information on permissible slab thickness and floor prop loads and load-bearing capacities in the applicable User Information booklets. Structural design of the tables is project-specific.

# Edge tables

---

## Edge tables with Dokamatic table platform

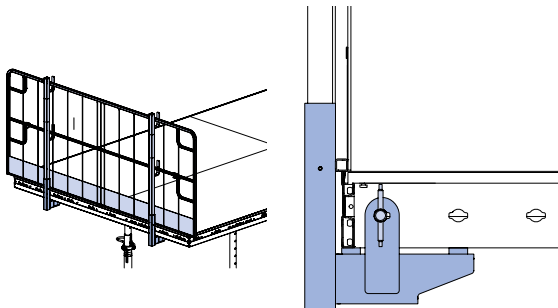
DokaXdek platform adapter T and safety pin secure the table platform to the primary profile of the DokaXdek table.



---

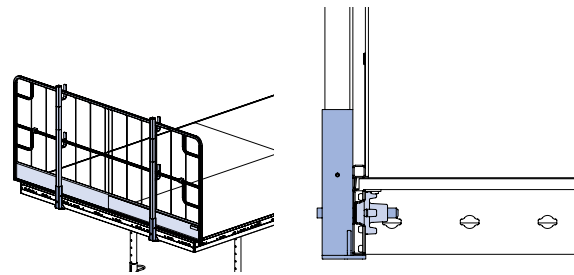
## Edge tables with Xsafe edge protection XP

**Installation of edge protection with DokaXdek table adapter XP**



Easy installation on primary profile with safety pin.

**Installation of edge protection with DokaXdek screw-on adapter XP T**

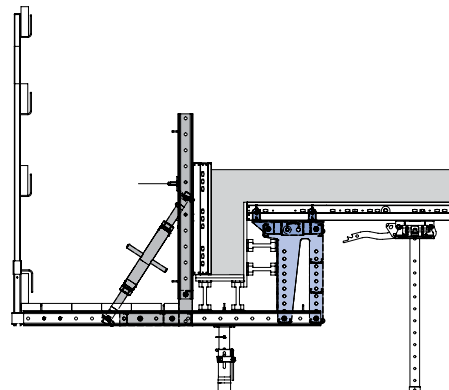


Easy installation on frame profile with Centring nut 15.0.

---

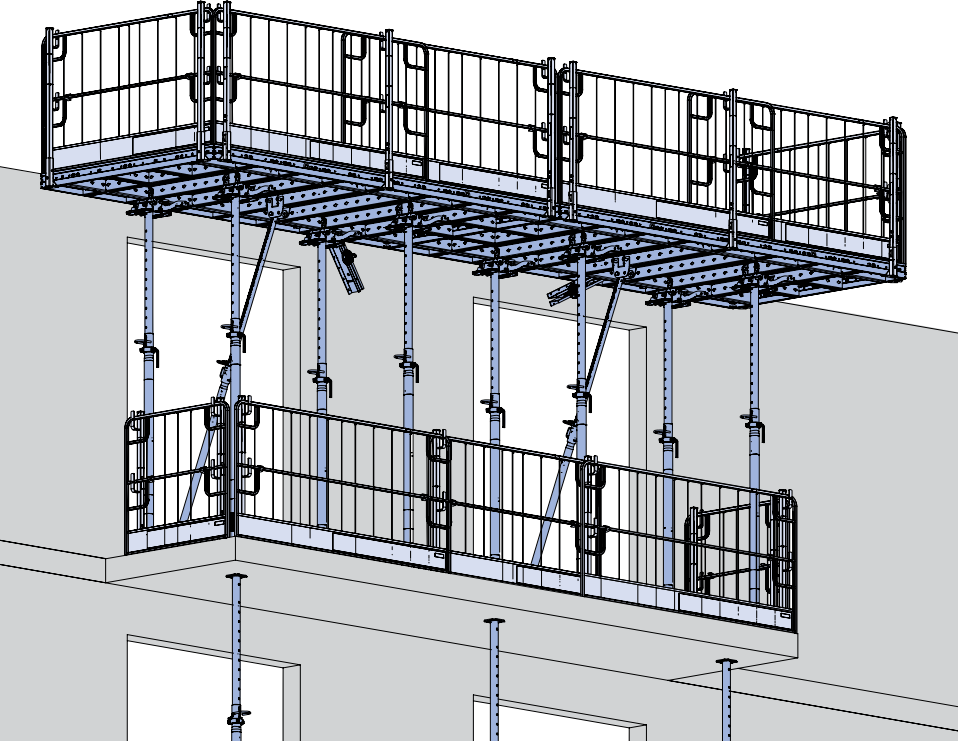
## Edge table with drop-beam formwork

Drop-beam formwork assemblies are installed on the short side or the long side of the DokaXdek table with the DokaXdek drop beam adapter T and the Dokamatic drop beam plate 60cm.



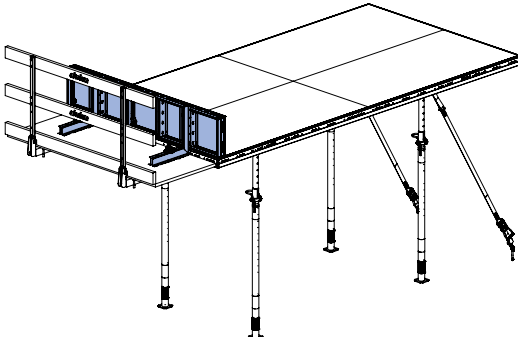
# Use as balcony table

With the DokaXdek table, balcony tables can be constructed by reversing the installation direction of the DokaXdek swivel head.

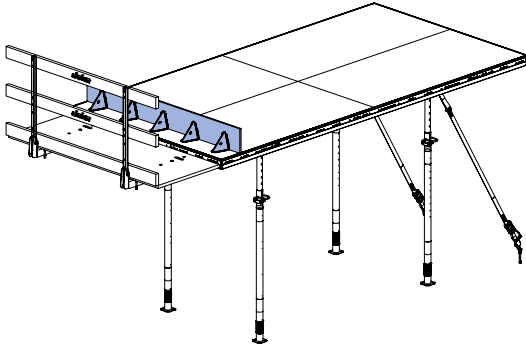


# Slab stop-ends

DokaXdek table panels



With Universal end-shutter support 30cm



# Repositioning

## Horizontal repositioning with transport fork

Horizontal repositioning with Transport fork 1.3t or with Transport fork DM 1.5t adjustable / Transport fork DM 2.5t adjustable

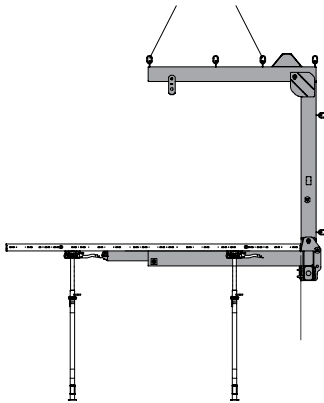


Table along the direction of the fork

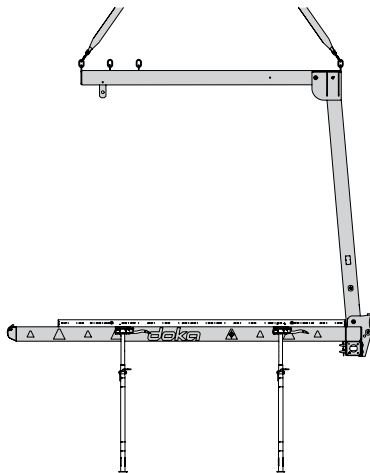
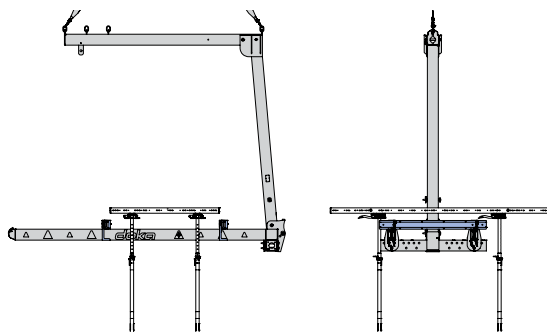
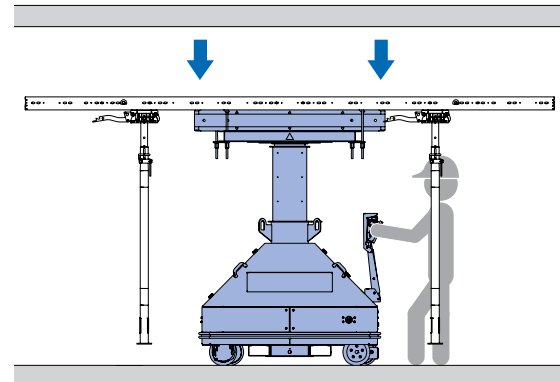
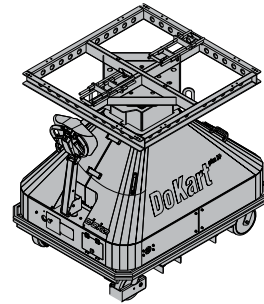


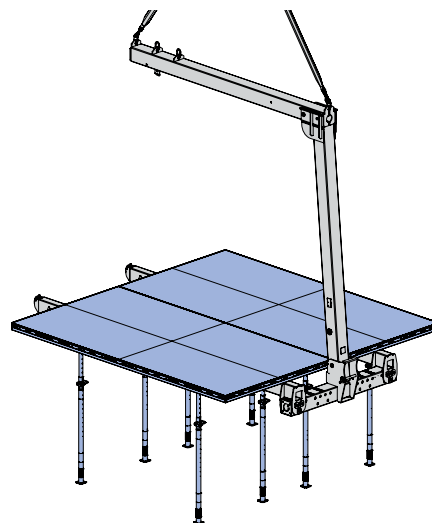
Table across the direction of the fork



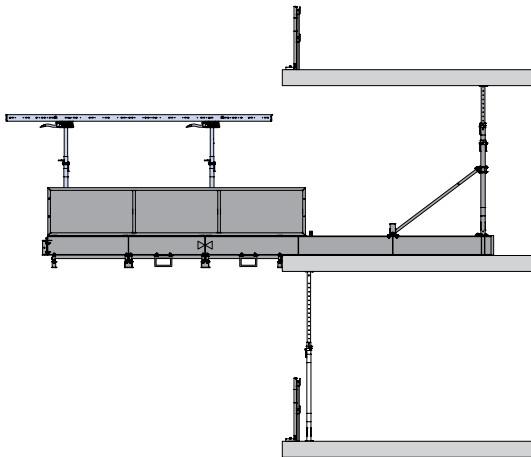
## Horizontal repositioning with DoKart plus



## Repositioning multi-table tableforms

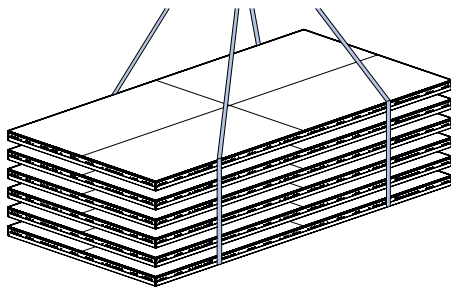


## Repositioning with loading platform

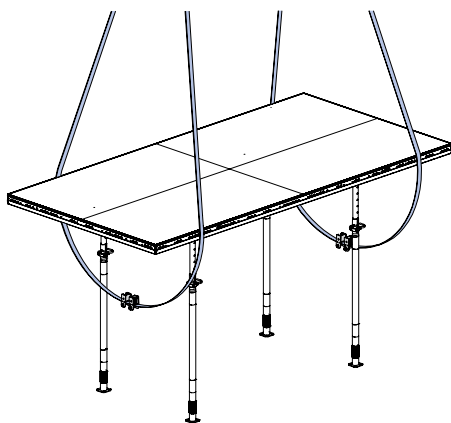


## Repositioning with Dokamatic lifting strap 13.00m

### Lifting of stacks

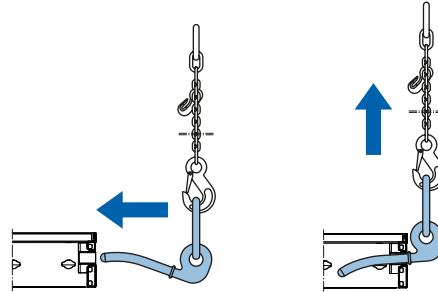


### Lifting single tables

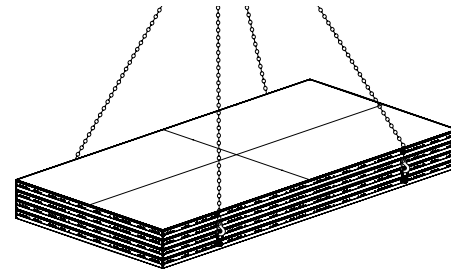


## Repositioning with Framax transport bolt

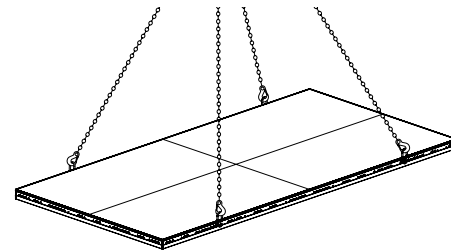
The Framax transport bolts are pushed into the crane lifting points of the bottom DokaXdek table in the stack to be lifted.



### Lifting of stacks

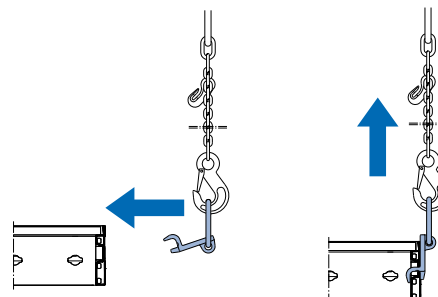


### Lifting single tables



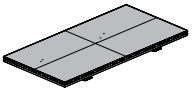
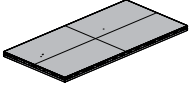
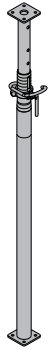
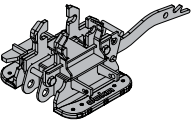
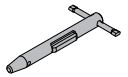
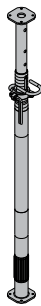
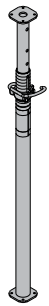
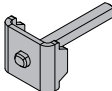

## Frami transport hook with Doka 4-part chain 3.20m

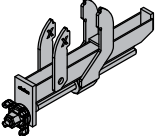
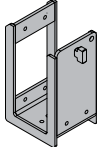
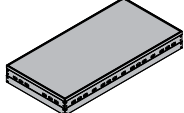
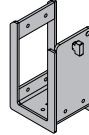
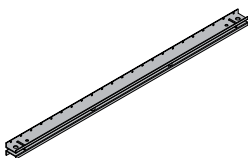
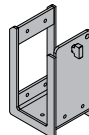
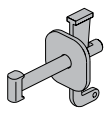
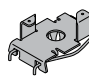
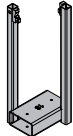
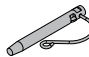
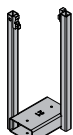
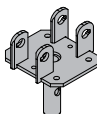


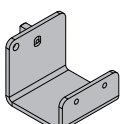
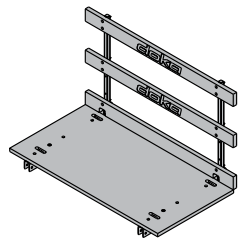
for crane-lifting single DokaXdek tables

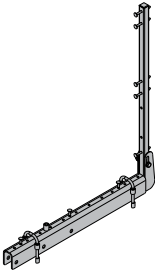
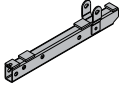
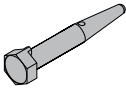

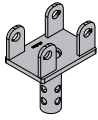
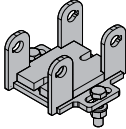
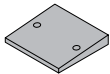
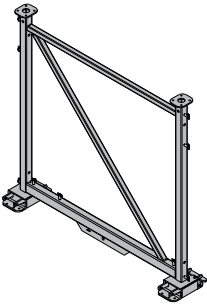
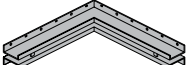
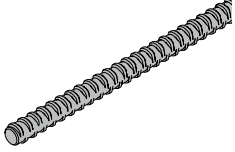
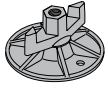
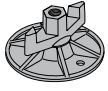


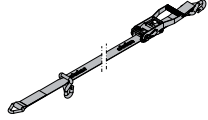
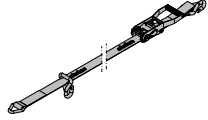
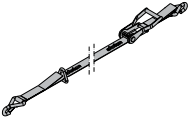
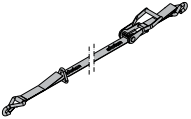






# DokaXdek table. Index of articles.


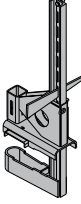
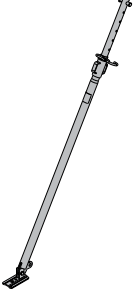
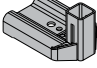
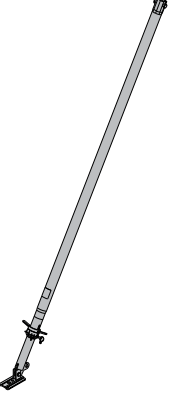
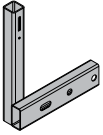
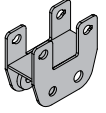

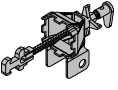
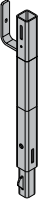
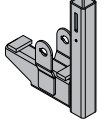
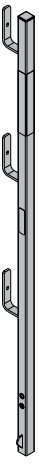
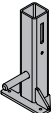
length x width x **economy**

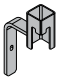
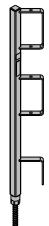
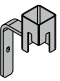
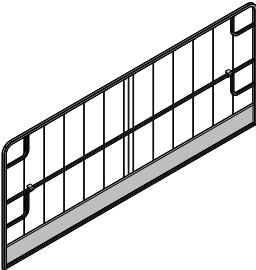

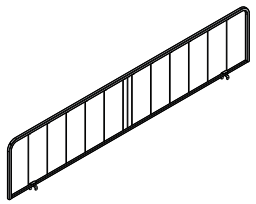
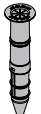
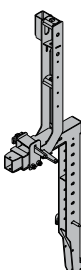
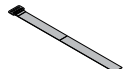
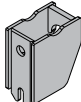


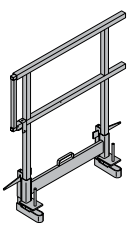
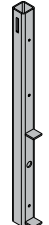
	[kg]	Article N°		[kg]	Article N°	
<b>DokaXdek table 2.50x5.00m</b> <b>DokaXdek table 2.00x5.00m</b> <b>DokaXdek table 2.50x4.00m</b> <b>DokaXdek table 2.00x4.00m</b> DokaXdek-Tisch	610.0 535.0 510.0 450.0	584100000 584101000 584102000 584103000	 <p>Galvanised Painted yellow Grey</p>	<b>Doka floor prop Eurex 30 eco 250</b> Length: 148 - 250 cm <b>Doka floor prop Eurex 30 eco 300</b> Length: 173 - 300 cm <b>Doka floor prop Eurex 30 eco 350</b> Length: 198 - 350 cm <b>Doka floor prop Eurex 30 eco 400</b> Length: 223 - 400 cm <b>Doka floor prop Eurex 30 eco 450</b> Length: 248 - 450 cm Doka-Deckenstütze Eurex 30 eco	12.8 16.3 20.7 24.2 28.5	586000000 586001000 586002000 586003000 586004000
<b>DokaXdek table 2.50x5.00m ES</b> <b>DokaXdek table 2.00x5.00m ES</b> <b>DokaXdek table 2.50x4.00m ES</b> <b>DokaXdek table 2.00x4.00m ES</b> DokaXdek-Tisch ES	540.0 465.0 440.0 380.0	584104000 584105000 584106000 584107000	 <p>Galvanised Painted yellow Grey</p>	 <p>Galvanised</p>		
<b>DokaXdek swivel head</b> DokaXdek-Schwenkkopf	17.0	584108000	 <p>Galvanised</p>			
<b>Safety pin D20 195</b> Sicherheitsbolzen D20 195	0.47	584110000	 <p>Galvanised</p>	<b>Doka floor prop Eurex 30 250</b> Length: 152 - 250 cm <b>Doka floor prop Eurex 30 300</b> Length: 172 - 300 cm <b>Doka floor prop Eurex 30 350</b> Length: 197 - 350 cm <b>Doka floor prop Eurex 30 400</b> Length: 227 - 400 cm <b>Doka floor prop Eurex 30 450</b> Length: 248 - 450 cm Doka-Deckenstütze Eurex 30	14.8 16.7 20.5 24.9 29.2	586092000 586093000 586094000 586095000 586119000
<b>Doka floor prop Eurex 30 top 250</b> Length: 148 - 250 cm <b>Doka floor prop Eurex 30 top 300</b> Length: 173 - 300 cm <b>Doka floor prop Eurex 30 top 350</b> Length: 198 - 350 cm <b>Doka floor prop Eurex 30 top 400</b> Length: 223 - 400 cm <b>Doka floor prop Eurex 30 top 450</b> Length: 248 - 450 cm <b>Doka floor prop Eurex 30 top 550</b> Length: 303 - 550 cm Doka-Deckenstütze Eurex 30 top	12.8 16.4 20.7 24.6 29.1 38.6	586092400 586093400 586094400 586095400 586119400 586129000	 <p>Galvanised</p>	 <p>Galvanised</p>		
				<b>Centring connector 15.0</b> Zentrierverbinder 15,0	0.45	584111000
			 <p>Galvanised Length: 12.6 cm</p>			
				<b>Centring nut 15.0</b> Zentriermutter 15,0	0.36	584112000
			 <p>Galvanised Height: 5 cm Diameter: 6.6 cm Width-across: 27 mm</p>			

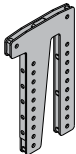
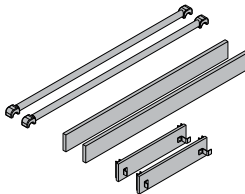
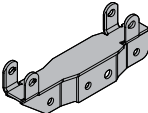

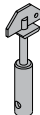

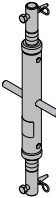
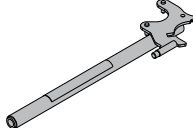
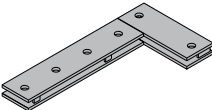
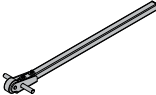
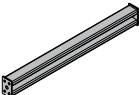
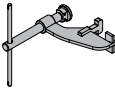
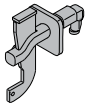
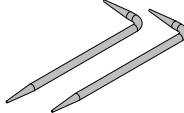
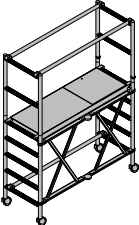
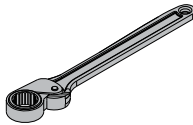
	[kg]	Art.-Nr.		[kg]	Art.-Nr.
<b>DokaXdek adjustable clamp T</b> DokaXdek-Ausgleichsspanner T  Galvanised Length: 40 cm	3.7	584130000	<b>DokaXdek beam support H20 18mm</b> DokaXdek-Trägerauflager H20 18mm  Galvanised Powder-coated grey Width: 12.5 cm Height: 21.5 cm	2.5	584116000
<b>DokaXdek table panel 0.50x1.00m</b> <b>DokaXdek table panel 0.75x1.00m</b> <b>DokaXdek table panel 0.50x1.50m</b> <b>DokaXdek table panel 0.75x1.50m</b> DokaXdek-Tischelement  Galvanised Painted yellow Grey	23.3 40.0 36.5 51.7	584128000 584127000 584126000 584125000	<b>DokaXdek beam support H20 21mm</b> DokaXdek-Trägerauflager H20 21mm  Galvanised Powder-coated yellow Width: 12.5 cm Height: 21.5 cm	2.6	584117000
<b>DokaXdek universal waling T 2.30m</b> DokaXdek-Klemmschiene T 2,30m  Painted blue	25.5	584131000	<b>DokaXdek beam support H20 27mm</b> DokaXdek-Trägerauflager H20 27mm  Galvanised Powder-coated grey Width: 12.5 cm Height: 21.5 cm	2.6	584118000
<b>Framax wedge clamp</b> Framax-Spannklemme  Galvanised Length: 21 cm	1.5	588152000	<b>Supporting head H20 DF</b> Haltekopf H20 DF  Galvanised Length: 19 cm Width: 11 cm Height: 8 cm	0.77	586179000
<b>DokaXdek suspension clamp T 18mm</b> DokaXdek-Einhängebügel T 18mm  Galvanised Powder-coated grey Height: 43 cm	2.3	584113000	<b>Spring locked connecting pin 16mm</b> Federbolzen 16mm  Galvanised Length: 15 cm	0.25	582528000
<b>DokaXdek suspension clamp T 21mm</b> DokaXdek-Einhängebügel T 21mm  Galvanised Powder-coated yellow Height: 43 cm	2.3	584114000	<b>DokaXdek prop connection T</b> DokaXdek-Stützenanschluss T  Galvanised Height: 23 cm	2.9	584134000
<b>DokaXdek suspension clamp T 27mm</b> DokaXdek-Einhängebügel T 27mm  Galvanised Powder-coated grey Height: 43 cm	2.5	584115000	<b>DokaXdek prop-connection plate T</b> DokaXdek-Stützenanschlussplatte T  Galvanised Length: 18 cm Width: 15 cm Height: 1 cm	1.4	584135000
<b>DokaXdek squared timber support 8x10cm</b> DokaXdek-Kantholzaufleger 8x10cm  Galvanised Width: 10 cm Height: 9.4 cm	1.1	584119000	<b>Dokamatic table platform 1.00/2.00m</b> <b>Dokamatic table platform 1.00/2.50m</b> Dokamatic-Tischbühne  Steel parts galvanised Timber parts varnished yellow Delivery condition: folded closed	92.0 103.0	586218000 586217000

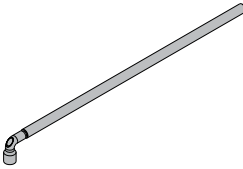

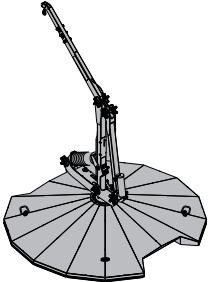


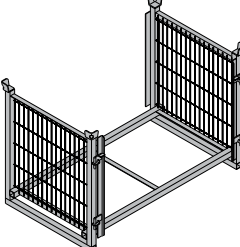

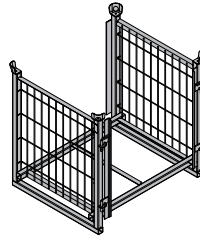

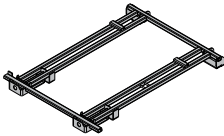

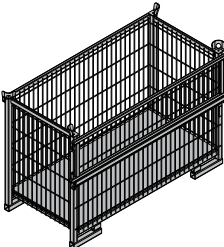
	[kg]	Art.-Nr.		[kg]	Art.-Nr.
<b>Dokamatic platform bracket 1.00m</b> Dokamatic-Bühnenkonsole 1,00m  <p>Galvanised Length: 112 cm Height: 124 cm</p>	19.5	586227000			
<b>DokaXdek platform adapter T</b> DokaXdek-Bühnenadapter T  <p>Galvanised Length: 72.4 cm</p>	5.7	584121000			
<b>Connecting pin 10cm</b> Verbindungsbolzen 10cm  <p>Galvanised Length: 14 cm</p>	0.34	580201000			
<b>Spring cotter 5mm</b> Federvorstecker 5mm  <p>Galvanised Length: 13 cm</p>	0.03	580204000			
<b>DokaXdek scaffold connector T</b> DokaXdek-Gerüstanschluss T  <p>Galvanised Height: 22.8 cm</p>	3.2	584123000			
<b>DokaXdek spindle connector T</b> DokaXdek-Spindelanschluss T  <p>Galvanised Height: 10.2 cm</p>	4.8	584124000			
<b>DokaXdek wedge for screw jack T .... %</b> DokaXdek-Spindelkeil T .... %  <p>Length: 19.5 cm Width: 21 cm</p>	0.35	176002000			
<b>Table frame 1.50m</b> Tischrahmen 1,50m  <p>Galvanised</p>	60.0	586224500			
<b>Framax universal corner waling</b> Framax-Eckklemmschiene  <p>Painted blue Leg length: 60 cm</p>	12.8	588151000			
			<b>Tie rod 15.0mm galvanised 0.50m</b> <b>Tie rod 15.0mm galvanised 0.75m</b> <b>Tie rod 15.0mm galvanised 1.00m</b> <b>Tie rod 15.0mm galvanised 1.25m</b> <b>Tie rod 15.0mm galvanised 1.50m</b> <b>Tie rod 15.0mm galvanised 1.75m</b> <b>Tie rod 15.0mm galvanised 2.00m</b> <b>Tie rod 15.0mm galvanised 2.50m</b> <b>Tie rod 15.0mm galvanised .....m</b> <b>Tie rod 15.0mm non-treated 0.50m</b> <b>Tie rod 15.0mm non-treated 0.75m</b> <b>Tie rod 15.0mm non-treated 1.00m</b> <b>Tie rod 15.0mm non-treated 1.25m</b> <b>Tie rod 15.0mm non-treated 1.50m</b> <b>Tie rod 15.0mm non-treated 1.75m</b> <b>Tie rod 15.0mm non-treated 2.00m</b> <b>Tie rod 15.0mm non-treated 2.50m</b> <b>Tie rod 15.0mm non-treated 3.00m</b> <b>Tie rod 15.0mm non-treated 3.50m</b> <b>Tie rod 15.0mm non-treated 4.00m</b> <b>Tie rod 15.0mm non-treated 5.00m</b> <b>Tie rod 15.0mm non-treated 6.00m</b> <b>Tie rod 15.0mm non-treated .....m</b> Ankerstab 15,0mm	0.72 1.1 1.4 1.8 2.2 2.5 2.9 3.6 1.4 0.73 1.1 1.4 1.8 2.1 2.5 2.9 3.6 4.3 5.0 5.7 7.2 8.6 1.4	581821000 581822000 581823000 581826000 581827000 581828000 581829000 581852000 581824000 581870000 581871000 581874000 581886000 581876000 581887000 581875000 581877000 581878000 581888000 581879000 581880000 581881000 581873000
			 <p><b>DIN</b> 18216</p>		
			<b>Super plate 15.0</b> Superplatte 15,0  <p>Galvanised Height: 6 cm Diameter: 12 cm Width-across: 27 mm</p>	1.1	581966000
			 <p><b>DIN</b> 18216</p>		
			<b>Universal end-shutter support 30cm</b> Universal-Abschalwinkel 30cm  <p>Galvanised Height: 21 cm</p>	1.0	586232000
					
			<b>Lashing strap 5.00m 2G</b> Zurrgurt 5,00m 2G  <p>Yellow</p>	2.9	586018500
					
			<b>Lashing strap 5.00m</b> Zurrgurt 5,00m  <p>Yellow</p>	2.8	586018000
					
			<b>Doka express anchor 16x125mm</b> Doka-Expressanker 16x125mm  <p>Galvanised Length: 18 cm</p>	0.31	588631000
					
			<b>Doka coil 16mm</b> Doka-Coil 16mm  <p>Galvanised Diameter: 1.6 cm</p>	0.009	588633000
					

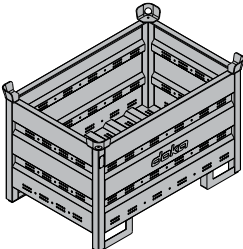
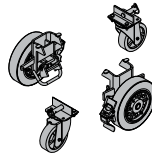
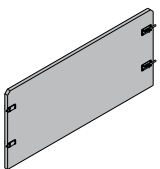
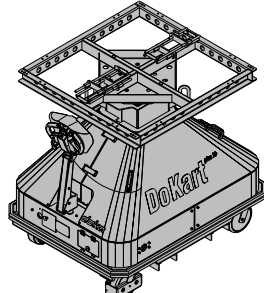
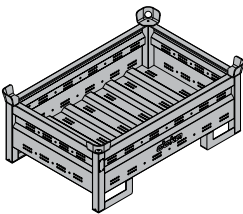
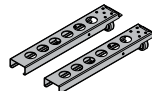
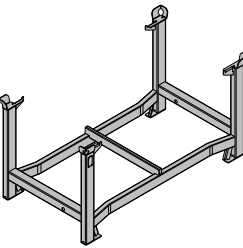
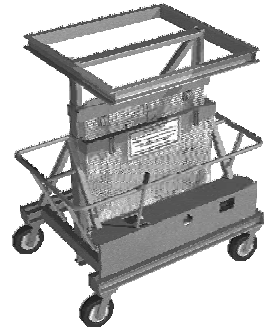
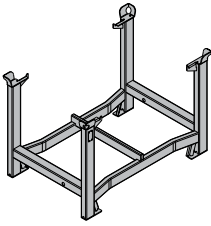
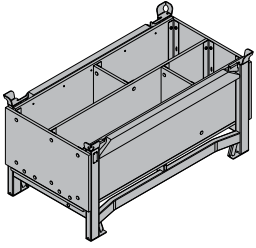
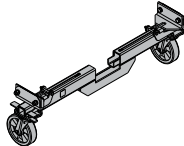


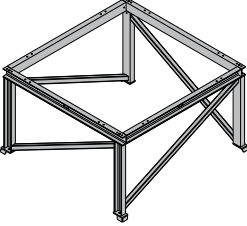
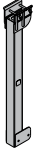
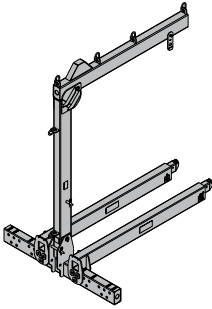
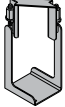
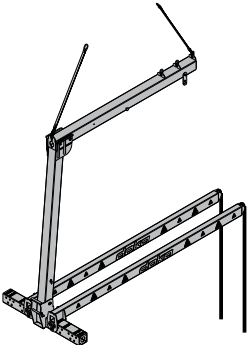

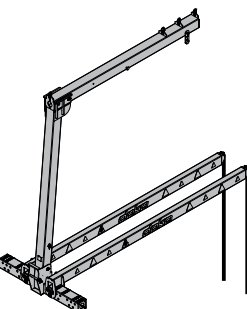

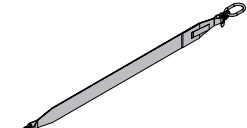
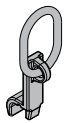
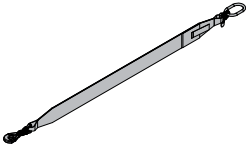
	[kg]	Article N°		[kg]	Article N°
<b>Information plate for express anchor</b> Plakette Expressanker  PS Width: 8 cm Height: 7.5 cm	0.1	588630000	<b>Railing clamp XP 40cm</b> Geländerzwinge XP 40cm  Galvanised Height: 73 cm	7.7	586456000
<b>Plumbing strut 340 IB</b> Justierstütze 340 IB  Galvanised Length: 190.8 - 341.8 cm	16.7	588696000	<b>Handrail-post shoe XP</b> Geländerschuh XP  Galvanised Length: 20 cm	2.2	586457000
<b>Plumbing strut 540 IB</b> Justierstütze 540 IB  Galvanised Length: 310.5 - 549.2 cm	30.7	588697000	<b>Insertion adapter XP</b> Einschubadapter XP  Galvanised Height: 43 cm	4.1	586478000
<b>DokaXdek plumbing strut adapter T</b> DokaXdek-Justierstützenadapter T  Galvanised Length: 18.5 cm	3.0	584132000	<b>Handrail post XP 1.20m</b> Geländersteher XP 1,20m  Galvanised Height: 118 cm	4.1	586460000
<b>Prop head EB</b> Stützenkopf EB  Galvanised Length: 40.8 cm Width: 11.8 cm Height: 17.6 cm	3.1	588244500	<b>Handrail post XP 0.60m</b> Geländersteher XP 0,60m  Galvanised Height: 68 cm	5.0	586462000
<b>DokaXdek table adapter XP</b> DokaXdek-Tischadapter XP  Galvanised Height: 33 cm	4.2	584120000	<b>Handrail post XP 1.80m</b> Geländersteher XP 1,80m  Galvanised Height: 176 cm	6.0	586482000
<b>DokaXdek screw-on adapter XP T</b> DokaXdek-Schraubadapter XP T  Galvanised Height: 24 cm	1.9	584129000			

	[kg]	Article N°		[kg]	Article N°
<b>Toeboard holder XP 1.20m</b> Fußwehrhalter XP 1,20m  Galvanised Height: 21 cm	0.64	586461000	<b>Handrail post 1.10m</b> Schutzgeländer 1,10m  Galvanised Height: 134 cm	5.5	584384000
<b>Toeboard holder XP 0.60m</b> Fußwehrhalter XP 0,60m  Galvanised Height: 21 cm	0.77	586463000			
<b>Protective grating XP 2.70x1.20m</b> <b>Protective grating XP 2.50x1.20m</b> <b>Protective grating XP 2.00x1.20m</b> <b>Protective grating XP 1.20x1.20m</b> Schutzgitter XP Galvanised 	22.2 20.5 17.4 12.0	586450000 586451000 586452000 586453000	<b>Attachable sleeve 24mm</b> Steckhülse 24mm  PVC PE Grey Length: 16.5 cm Diameter: 2.7 cm	0.03	584385000
<b>Protective grating XP 2.70x0.60m</b> <b>Protective grating XP 2.50x0.60m</b> <b>Protective grating XP 2.00x0.60m</b> <b>Protective grating XP 1.20x0.60m</b> Schutzgitter XP Galvanised 	10.1 9.5 8.0 5.0	586466000 586472000 586473000 586491000	<b>Screw sleeve 20.0</b> Schraubhülse 20,0  PP Yellow Length: 20 cm Diameter: 3.1 cm	0.03	584386000
			<b>Doka floor end-shutter clamp</b> Doka-Deckenabschalcklemme  Galvanised Height: 137 cm	12.5	586239000
<b>Velcro fastener 30x380mm</b> Klettverschluss 30x380mm  Yellow	0.02	586470000	<b>End-shutter shoe</b> Abschalshuh  Galvanised Height: 13.5 cm	1.6	586257000
<b>Handrail clamp S</b> Schutzgelderzwinge S  Galvanised Height: 123 - 171 cm	11.5	580470000	<b>End-shutter tie rod 15.0 15-40cm</b> Abschalanker 15,0 15-40cm  Galvanised Length: 55 cm	0.91	586258000
<b>Side handrail clamping unit T</b> Seitenschutzgelder T  Galvanised Length: 115 - 175 cm Height: 112 cm	29.1	580488000	<b>Floor end-shutter profile XP</b> Deckenabschalprofil XP  Galvanised Height: 77 cm	4.2	586481000

	[kg]	Article N°		[kg]	Article N°
<b>Dokamatic drop beam plate 60cm</b> Dokamatic-Unterzugsplatte 60cm  Painted blue Height: 68 cm	21.1	586226000	<b>Wheel-around scaffold DF accessory set</b> Zubehörset Mobilgerüst DF  Aluminium Timber parts varnished yellow Length: 189 cm	13.3	586164000
<b>DokaXdek drop beam adapter T</b> DokaXdek-Unterzugsadapter T  Galvanised Length: 47 cm Width: 10 cm Height: 17 cm	7.2	584133000	<b>Platform stairway 0.97m</b> Podesttreppe 0,97m  Aluminium Width: 121 cm Pay attention to the national, technical safety regulations!	23.5	586555000
<b>Dokamatic prop connection</b> Dokamatic-Stützenanschluss  Galvanised Height: 26 cm	1.3	586215000	<b>Plastic mallet 4kg</b> Kunststoffhammer 4kg  Blue Length: 110 cm	4.5	586097000
<b>Spindle strut T7 75/110cm</b> Spindelstrebe T7 75/110cm  Galvanised	13.2	584308000	<b>Universal dismantling tool</b> Universal-Lösewerkzeug  Galvanised Length: 75.5 cm	3.7	582768000
<b>Corner plate FF20 G</b> Ecklasche FF20 G  Painted blue Length: 49 cm Width: 24 cm	7.2	587571000	<b>Framax stripping tool</b> Framax-Ausschalwerkzeug  Galvanised Length: 110 cm	5.5	589235000
<b>Frami universal waling 0.70m</b> Frami-Klemmschiene 0,70m  Painted blue	3.7	588439000	<b>Framax stripping aid</b> Framax-Ausschalhilfe  Galvanised	3.2	589246000
<b>Frami wedge clamp</b> Frami-Klemme  Galvanised Length: 16 cm	1.1	588441000	<b>Angular arbor SL-1</b> Winkeldorn SL-1 	1.4	582867000
<b>Wheel-around scaffold DF</b> Mobilgerüst DF  Aluminium Length: 185 cm Width: 80 cm Height: 255 cm Delivery condition: separate parts	44.0	586157000	<b>Friction type ratchet SW27</b> Freilaufknarre SW27  Manganese-phosphated Length: 30 cm	0.49	581855000

	[kg]	Article N°		[kg]	Article N°	
<b>Box spanner 27 0.65m</b> Steckschlüssel 27 0,65m  Galvanised	1.9	581854000		<b>Fall arrester FreeFalcon 6.00m</b> Höhensicherungsgerät FreeFalcon 6,00m  Follow the directions in the "Operating Instructions"!	3.3	583039000
<b>FreeFalcon</b>				<b>CE</b>		
<b>FreeFalcon</b> FreeFalcon  Red Length: 225 cm Width: 208 cm Height: 235 cm Follow the directions in the "Operating Instructions"!	450.0	583034000		<b>Case for safety accessories FreeFalcon</b> Koffer Sicherheitszubehör FreeFalcon 	1.5	583037000
<b>CE</b>			<b>Multi-trip packaging</b>			
<b>Mast cover FreeFalcon</b> Abdeckung Mast FreeFalcon  Red	3.8	583027000		<b>Frami pallet 1.50m</b> Frami-Palette 1,50m  Galvanised Length: 168 cm Width: 100 cm Height: 114 cm	69.0	588476000
<b>Base-plate cover FreeFalcon</b> Abdeckung Sockelplatte FreeFalcon  Red	3.2	583026000		<b>DokaXlight pallet 1.00m</b> DokaXlight-Palette 1,00m  Galvanised Length: 118 cm Width: 100 cm Height: 114 cm	64.0	589135000
<b>Safety harness FreeFalcon</b> Auffanggurt FreeFalcon  Follow the directions in the "Operating Instructions"!	1.5	583036000		<b>Dokamatic table-frame pallet 2.15x1.60m</b> Dokamatic-Tischrahmenpalette 2,15x1,60m  Galvanised	85.0	586225000
<b>CE</b>			<b>CE</b>			
<b>Fall arrester FreeFalcon 9.00m</b> Höhensicherungsgerät FreeFalcon 9,00m  Follow the directions in the "Operating Instructions"!	3.8	583035000		<b>Doka skeleton transport box 1.70x0.80m</b> Doka-Gitterbox 1,70x0,80m  Galvanised Height: 113 cm	87.0	583012000
<b>CE</b>			<b>CE</b>			

	[kg]	Article N°		[kg]	Article N°
<b>Doka multi-trip transport box 1.20x0.80m</b> Doka-Mehrwegcontainer 1,20x0,80m Galvanised Height: 78 cm 	70.0	583011000			
<b>Bolt-on castor set B</b> Anklemm-Radsatz B Painted blue 	33.6	586168000			
<b>Shifting appliances for tables</b>					
<b>Multi-trip transport box partition 0.80m</b> <b>Multi-trip transport box partition 1.20m</b> Mehrwegcontainer Unterteilung Steel parts galvanised Timber parts varnished yellow 	3.7 5.5	583018000 583017000			
<b>DoKart plus</b> DoKart plus included in scope of supply: <b>(A) Brace stirrup 8</b> 4 pcs. Galvanised Width: 19 cm Height: 46 cm Width-across: 30 mm Yellow Length: 172 cm Width: 132 cm Height: 154 - 327 cm Follow the directions in the "Operating Instructions!" 	1448.0	586265500	2.7	582751000	CE
<b>Doka multi-trip transport box 1.20x0.80x0.41m</b> Doka-Mehrwegcontainer 1,20x0,80x0,41m Galvanised 	42.5	583009000			
<b>Extension set for DoKart plus</b> Auslegersatz DoKart plus Galvanised Length: 120 cm Follow the directions in the "Operating Instructions!" 	50.0	586266500			
<b>Doka stacking pallet 1.55x0.85m</b> Doka-Stapelpalette 1,55x0,85m Galvanised Height: 77 cm 	41.0	586151000			
<b>Shifting trolley DF</b> Umsetzwagen DF included in scope of supply: <b>(A) Positioning lever for shifting trolley DF</b> 6.0 <b>(B) Brace stirrup 8</b> 2.7 4 pcs. Galvanised Width: 19 cm Height: 46 cm Width-across: 30 mm Galvanised Length: 181 cm Width: 130 cm Height: 154 - 303 cm Follow the directions in the "Operating Instructions!" 	566.0	586080000	6.0	586063000	CE
<b>Doka stacking pallet 1.20x0.80m</b> Doka-Stapelpalette 1,20x0,80m Galvanised Height: 77 cm 	38.0	583016000			
<b>Doka accessory box</b> Doka-Kleinteilebox Timber parts varnished yellow Steel parts galvanised Length: 154 cm Width: 83 cm Height: 77 cm 	106.4	583010000			
<b>Extension for shifting trolley DF</b> Ausleger für Umsetzwagen DF Galvanised Length: 128.4 cm Follow the directions in the "Operating Instructions!" 	40.0	586015000			

	[kg]	Article N°		[kg]	Article N°	
<b>Stacking frame DF</b> Aufsatzrahmen DF  <p>Galvanised  Length: 134 cm  Width: 130 cm  Height: 75 cm</p>	82.0	586079000		<b>Vertical extension DM 3.30m</b> Vertikalverlängerung DM 3,30m  <p>Galvanised  Height: 352 cm</p>	240.0	586235000
<b>Transport fork 1.3t adjustable</b> Umsetzgabel 1,3t verstellbar  <p>Galvanised  Delivery condition: folded closed  Follow the directions in the "Operating Instructions"!</p>	718.0	586234000		<b>Extension clamp H20 for fork</b> Aufsatzklemme H20 für Gabel  <p>Galvanised  Height: 45 cm</p>	4.5	586236000
<b>Transport fork DM 1.5t adjustable</b> Umsetzgabel DM 1,5t verstellbar  <p>Galvanised  Delivery condition: folded closed  Follow the directions in the "Operating Instructions"!</p>	1134.0	586233000	CE	<b>Dokamatic lifting strap 13.00m</b> Dokamatic-Umsetzgurt 13,00m  <p>Green  Follow the directions in the "Operating Instructions"!</p>	10.5	586231000
<b>Transport fork DM 2.5t adjustable</b> Umsetzgabel DM 2,5t verstellbar  <p>Galvanised  Delivery condition: folded closed  Follow the directions in the "Operating Instructions"!</p>	1134.0	586259000	CE	<b>Framax transport bolt</b> Framax-Transportbolzen  <p>Follow the directions in the "Operating Instructions"!</p>	1.9	588621000
<b>Transport fork DM 2.5t adjustable</b> Umsetzgabel DM 2,5t verstellbar  <p>Galvanised  Delivery condition: folded closed  Follow the directions in the "Operating Instructions"!</p>	1134.0	586259000	CE	<b>Frami transport hook</b> Frami-Transporthaken  <p>Galvanised  Length: 17.5 cm  Follow the directions in the "Operating Instructions"!</p>	0.56	588494000
<b>Lifting sling for transport fork DM 2.5t</b> Hebeband Umsetzgabel DM 2,5t  <p>Grey  Length: 220 cm  Width: 12 cm  Follow the directions in the "Operating Instructions"!</p>	6.6	586261000				



# DokaXdek panel floor formwork

length × width × flexibility







**doka** DokaXdek

**doka** DokaXdek

**doka**

DokaXdek panel floor formwork

**doka** DokaXdek

**doka** DokaXdek

**doka**

**doka** DokaXdek

**doka** DokaXdek

**doka**

**doka**

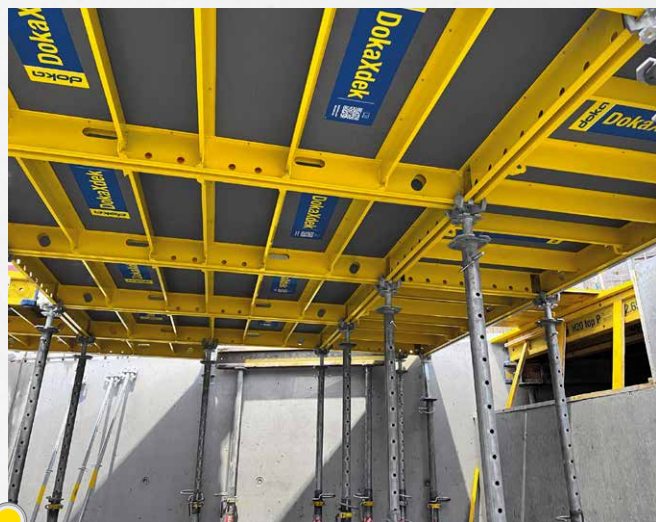
# DokaXdek panel floor formwork. The advantages.

length x width x **flexibility**

DokaXdek panel floor formwork is a lightweight and fast 2-person panel formwork system that can be assembled and disassembled safely from the ground. The support head can be installed at any position on the frame. User safety is of primary importance, so the DokaXdek panel floor formwork has a smart anti-liftout guard. Together with the DokaXdek I-frame and the DokaXdek table, this results in a system family that is highly versatile and can be combined in many different ways.

## Versatile

- Reduced closure zones thanks to flexible assembly of the panels lengthwise and crosswise
- Usable in all height ranges by use of floor props and load-bearing towers
- Versatility for use in single-family home builds through to shopping centres
- Seamlessly combinable with Dokaflex
- For slab thicknesses of up to 65 cm



Any arrangement of the DokaXdek panels

## 2-person handset system

## Ergonomic

- Lightweight for easy handling by 2 persons – only 16.5 kg per person
- Easy and safe handling with the ergonomically shaped grips





DokaXdek panel floor formwork in use

Lightweight,  
fast 2-person  
panel system

## Economical

- Fast assembly due to 2 m<sup>2</sup> large main panel
- Simple planning and logistics thanks to 2 panel sizes (1 x 2 m and 0.75 x 2 m) and few system components
- Durable Xlife sheet and robust, powder-coated frame in Doka quality
- Easy cleaning thanks to frame geometry with drip edge, and Xlife sheeting

## Safe

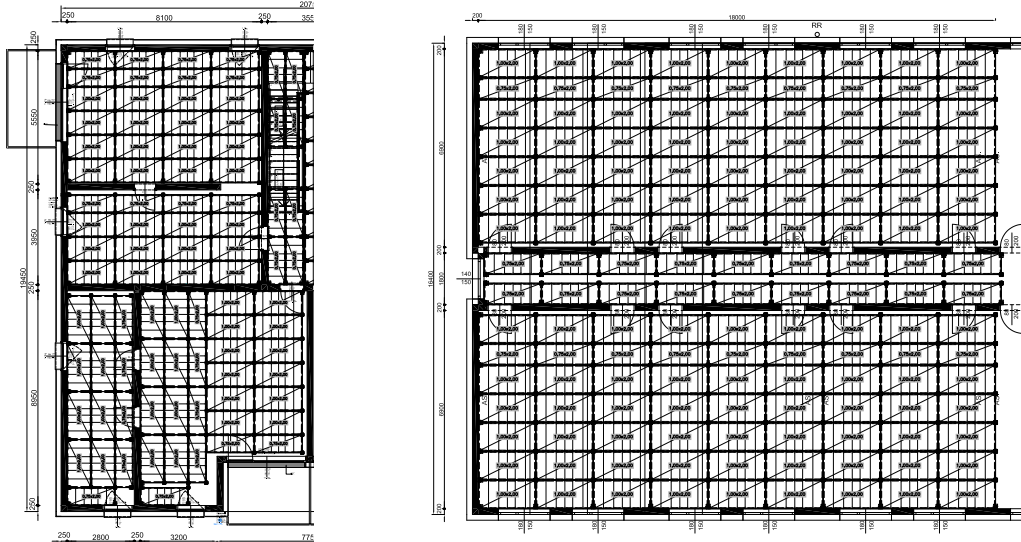
- Fast formwork assembly and disassembly from the ground
- Smart anti-liftout guard for safety while assembly work is in progress and in windy conditions; guard can also be deactivated when necessary

DokaXdek  
support head

## Versatile. Possible uses.

Ideal for every slab formwork jobsite.

The DokaXdek panel floor formwork has a wide range of possible applications covering everything from small builds to major construction projects.



## Versatile. Slab thickness.

Thick slabs.

The DokaXdek panel floor formwork is designed for a slab thickness of 40 cm as the standard case. Installing an additional prop in the middle of the panel increases maximum permitted slab thickness to 65 cm.



## Ergonomic.

Ergonomic working without heavy lifting.

The DokaXdek panel floor formwork is a versatile, lightweight and easy-to-use panel system for assembly and disassembly by two persons working safely at floor level. The big DokaXdek panel measuring 1.00 x 2.00 m weighs only 33 kg. Ergonomic grip-holes facilitate handling. The DokaXdek panel floor formwork enables comfortable working even at heights up to 3.80 m.



Only  
**33 kg**  
per main panel  
1.00 x 2.00 m

DokaXdek panel floor formwork

## Versatile. DokaXdek support head.

Versatility built into the head.

One head – the DokaXdek support head – is all that's needed to cover a huge range of different applications. The support head stands for versatility. In the standard case it props the panel at all 4 corners. The support head also has the versatility to be installed at any position on the frame.



A head  
for all  
situations!



### DokaXdek support head

The support head can be positioned anywhere it's needed.



### DokaXdek wall head

The wall head makes starting assembly and disassembly operations much easier.

optionally

## Safe. Anti-liftout guard.

Smart anti-liftout guard always active.

The anti-liftout guard is a smart in-system solution. No additional work steps are involved. Individual panels and the entire slab system are secured during assembly and disassembly operations, as well as in windy conditions. Fewer additional bracing and securing measures are needed.



## DokaXdek panel floor formwork in lab testing at Graz University of Technology, Austria



### Anti-liftout guard active during assembly



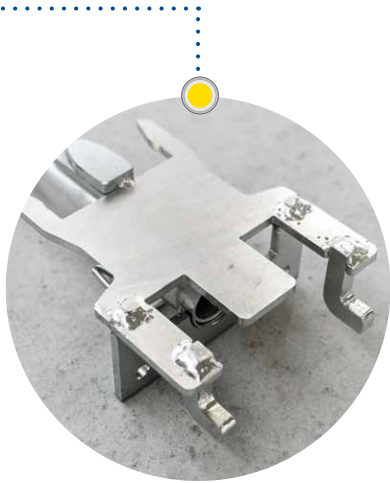
Smart anti-liftout guard = more safety in disassembly and assembly states

### Anti-liftout guard active during disassembly



The smart anti-liftout guard provides safety in strong winds and enhances safety throughout assembly and disassembly of the DokaXdek panel floor formwork.

DokaXdek panel floor formwork



### Multi-functional assembling tool

Two ways to use: Controlling movement of panels and infill beams during set-up and stripping and for brief deactivation of the smart anti-liftout guard. This is how DokaXdek panels or individual support heads can be removed after a tableform has been constructed.

# Versatile. In the longitudinal and transverse directions.

Versatility thanks to the support head.

DokaXdek panels can be swivelled up and eased down in both longitudinal and transverse directions. This makes for even more adaptability to suit the building's floorplan. However, the recommended procedure is to arrange panels in the primary direction (longitudinally).

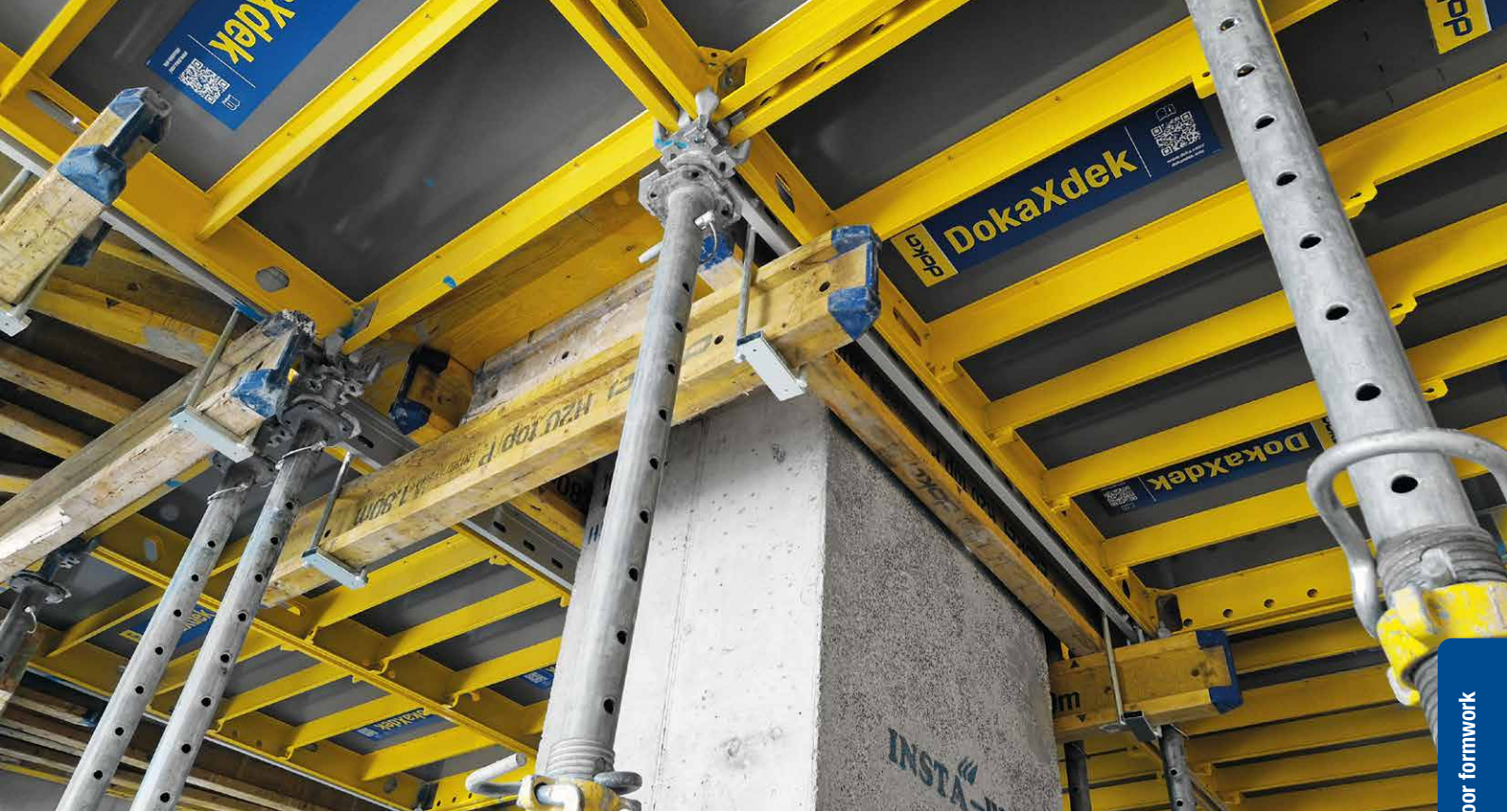
## DokaXdek panel floor formwork, combined longitudinal and transverse arrangement



## Swivelling DokaXdek set in transverse direction







## Versatile. Easy closure.

Fast closure solution with versatile suspension clamp.

Infill beams and suspension clamps (for formwork sheet thicknesses 18 mm, 21 mm, 27 mm) are available for adaptations at the slab edges and around structural columns.



# Economical. Durable and robust.

Quality that pays off.

DokaXdek panels boast a robust aluminium frame. To extend durability and make cleaning even easier, the panel is powder-coated.

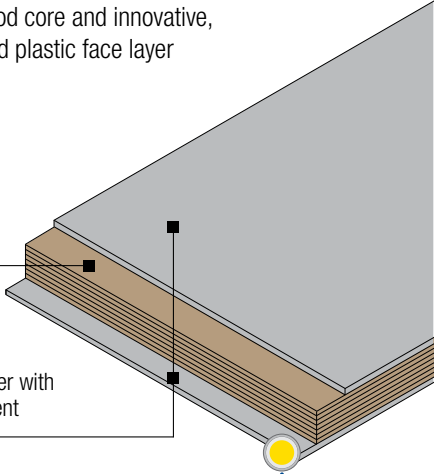
## Longer times between investments and less expenditure

- Robust, long-lasting aluminium frame
- Concrete surfaces are consistently good even after many use cycles, so less finishing work
- Lifespan is longer than average, so fewer costly sheet changes
- Easy, fast intermediate and final cleaning, also using high-pressure washers

Special sheet structure, 9 mm thick with high-strength plywood core and innovative, glass-fibre reinforced plastic face layer

Plywood core, 5-ply make-up, force-oriented plies

Polypropylene face layer with glass fibre reinforcement



Xlife sheet

## High-quality concreting results



Powder-coating

Time-saving cleaning thanks to powder coating



Dimensionally stable frame



The DokaXdek panel floor formwork is produced in compliance with the strict rules of EN 1090. Execution of steel structures and aluminium structures, so it ensures a reliable, high level of load-bearing capacity, stability, serviceability and durability.

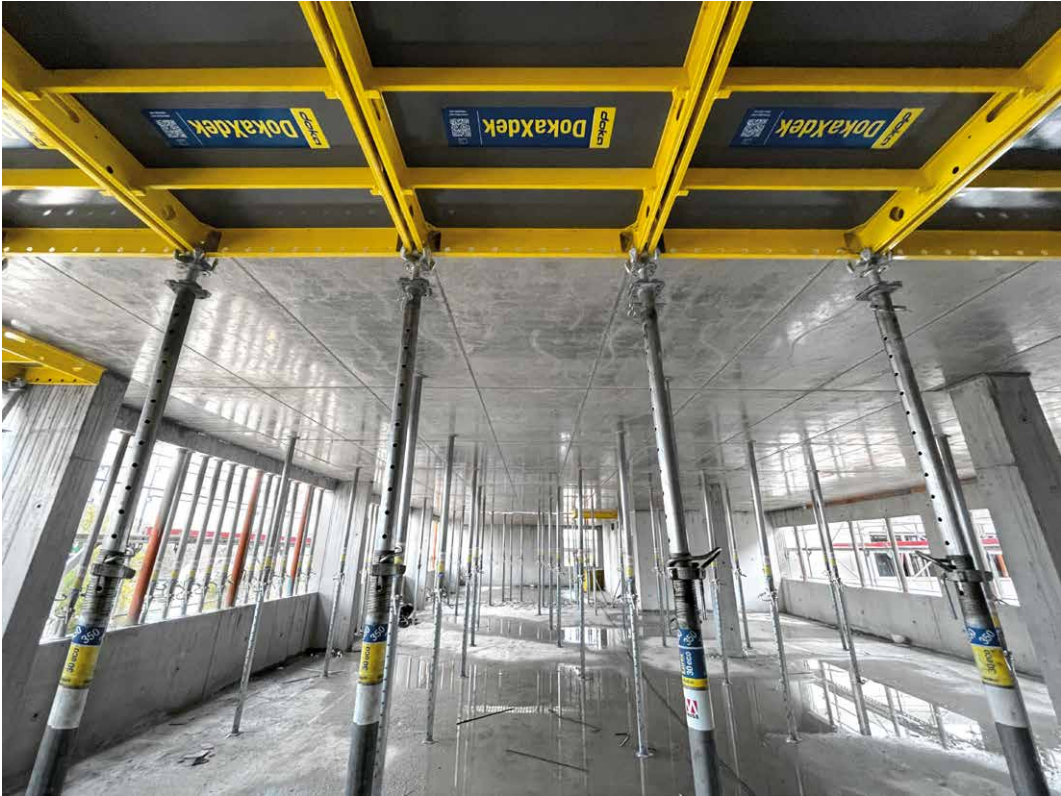
# Economical. Transport and storage.

The versatile transport pallet facilitates safe transport and storage of the DokaXdek panels. The pallet corner posts are hinged to fold down, so the panels are easier to remove. On site the panels fold closed for space-saving stacking.



# Economical. Optimum concreting results.

High-quality concreting result



# DokaXdek panel floor formwork. References.

length x width x **flexibility**

## QUADRILL Tower, Linz

The QUADRILL development is a four-element structural complex consisting of the 109-metre tall QUADRILL Tower and its three ancillary buildings. Along with a hotel, the QUADRILL Tower will have office, commercial and restaurant spaces. It will be Austria's tallest residential and office building outside the capital Vienna. Complex geometrical shapes present certain challenges in the slabbing sector that the formwork has to master. The new DokaXdek system makes the process faster and safer thanks to outstanding ergonomics and lightweight panels. This is due in part to the versatile 1 x 2 m DokaXdek panels, which can be joined together in the longitudinal and transverse system grid.



**Franz Dorninger,**  
foreman with  
DYWIDAG

"DokaXdek panels, infill beams, suspension clamps and formwork sheets give us the versatility we need to fill the many critical closure zones easily and quickly. The system is easy to use, the procedures are self-explanatory."

**Location:** Linz, Austria

**Construction work by:**

ARGE DYWIDAG (Dyckerhoff & Widmann) & BODNER

**Construction time:** 2021 – 2025

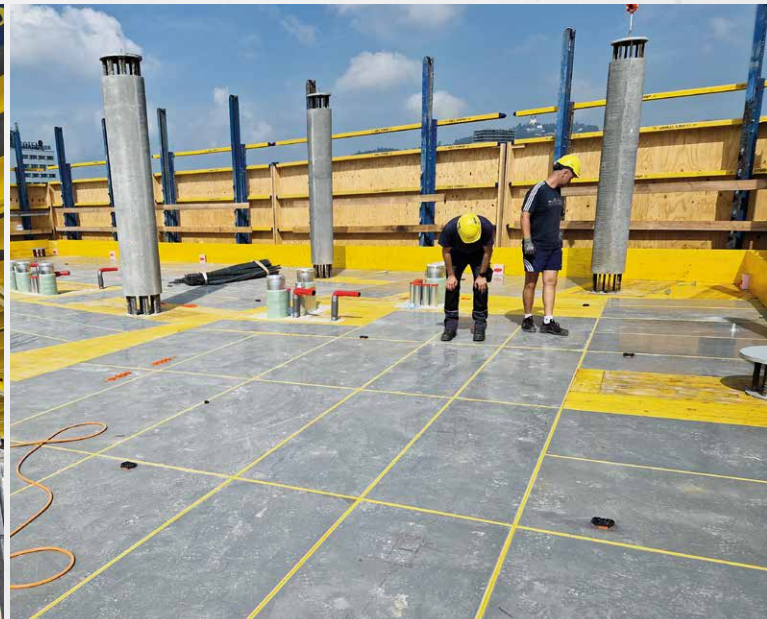
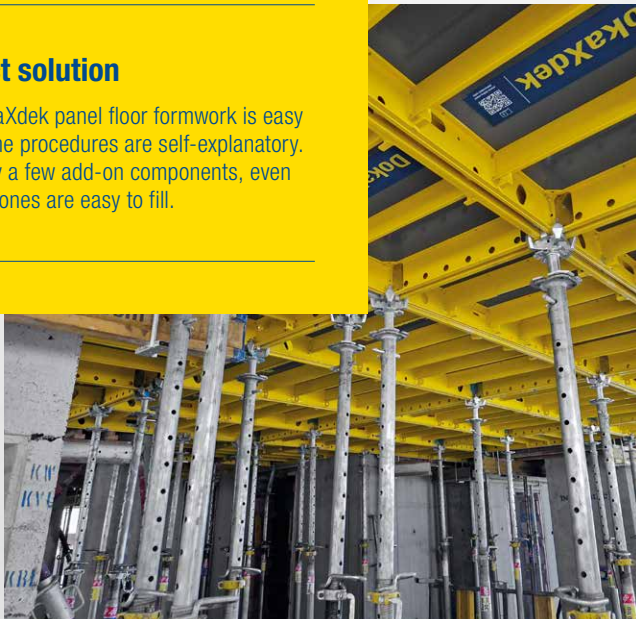
**Products used:** DokaXdek panel floor formwork, Dokamatic tables, DoKart, Doka Loading platform, Framax Xlife plus, Protection screen Xclimb 60, Edge protection XP

**Challenge:**

On account of the complex geometrical shapes that make up the structure shell, numerous closure zones have to be interconnected.

### Project solution

The DokaXdek panel floor formwork is easy to use, the procedures are self-explanatory. With only a few add-on components, even closure zones are easy to fill.





## Clinical Centre for Psychosomatics, Treuchtlingen

A new Clinical Centre for Psychosomatics is under construction on the site of the former hospital in Treuchtlingen, a town in Middle Franconia, Germany. The new complex will cover about 3,000 m<sup>2</sup> and enclose some 6,000 m<sup>2</sup> of usable floorspace. The four-storey structure consists of two U-shaped wings extending from a central core; fair-faced concrete quality (class SB3) is a requirement for some parts of the structure. The complex geometry is continued in the interior by a multiplicity of room sizes, demanding a versatile, easy-to-use system for the floor-slab formwork.

**Location:** Treuchtlingen, Germany

**Construction work by:** MAUSS Bau GmbH & Co. KG

**Construction time:** April 2023 – December 2024

**Products used:** DokaXdek panel floor formwork, Framax Xlife plus, Xsafe platform system plus, Xsafe edge protection XP, Large-area formworkTop 50, Shaft platforms

### Challenges:

- Challenging layout of the structure with a mixture of large and small rooms
- Tight construction schedule



### Project solution

Depending on requirements, the DokaXdek panels can be arranged longitudinally or transversely for an optimum result with a tidy joint pattern. The high-quality Xlife sheet ensures a uniform, smooth concrete surface. Two-person handling enables the construction crew from the MAUSS company to make efficient and resource-economising progress.



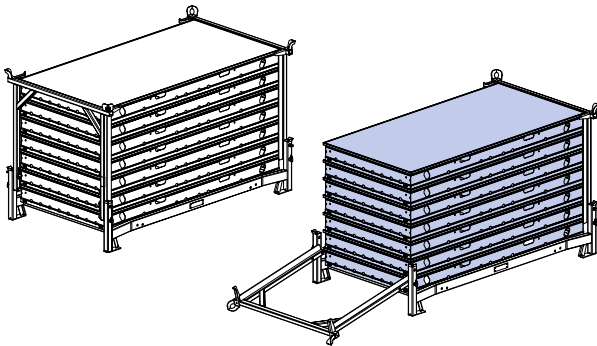
“DokaXdek in four words: light, fast, yellow, genius. Great formwork and a great job of concreting. There’s a neat feature with the railing, because the XP adapter can be used on the long side and the short side. That makes me even faster and more adaptable.”

**Christian Postler,**  
foreman at MAUSS BAU GmbH & Co. KG

# DokaXdek panel floor formwork. Use.

length x width x **flexibility**

## Transport and storage



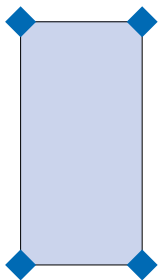
### Unloading the panels

DokaXdek panel pallet with fold-down corner posts makes unloading the panels easy

## Slab thickness

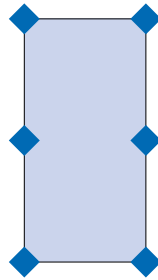
### Overview of additional precautions

**Slab thickness**  
0 – 40 cm



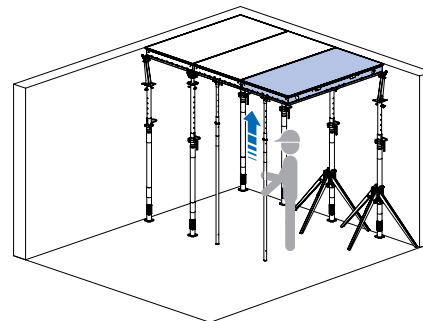
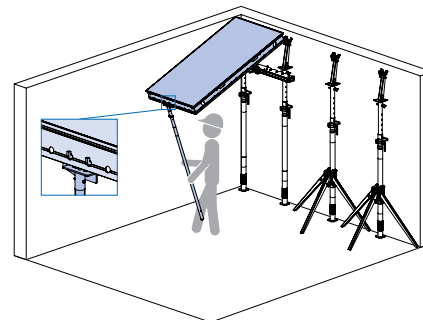
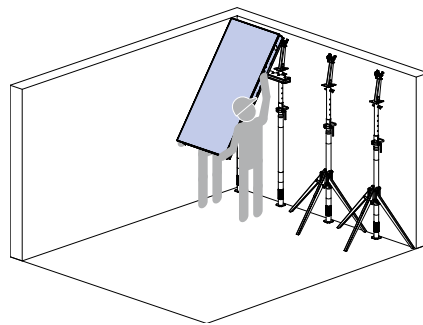
Propping with 4 support heads (at the corners)

**Slab thickness**  
40 – 65 cm

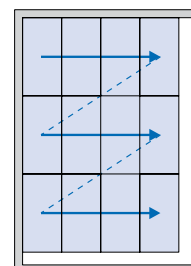


Propping with 4 support heads (at the corners) + additional propping at centre

## Setting up the formwork



**Preferred laying direction**



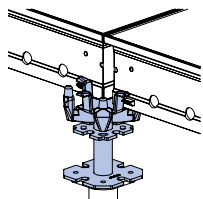


# Support head and wall head

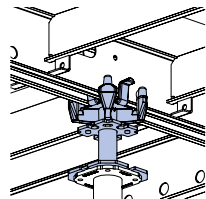
## Support head

A head for all situations!

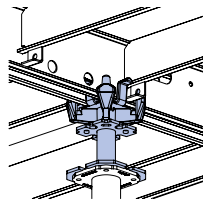
**Use at panel corner**



**Use along the frame**

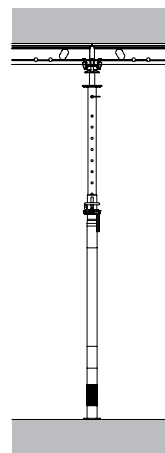
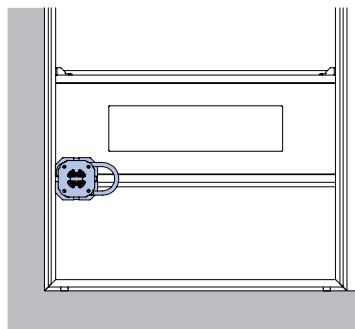
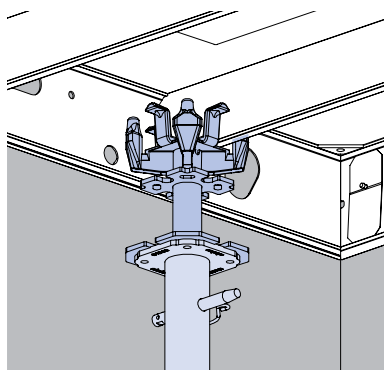


**Use underneath cross-profile stiffening plate**



Set up a removable folding tripod to stabilise each prop that is not seated with a head at a panel corner or underneath a cross-profile stiffening plate.

**Corner head version of the support head**  
Maximum slab thickness 40 cm

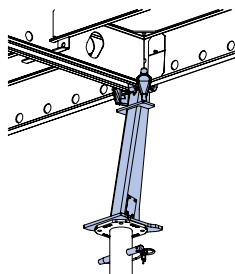


Length of floor prop when support head used minus 31 cm

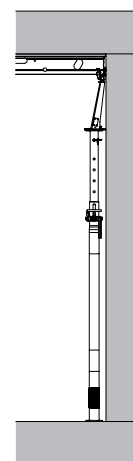
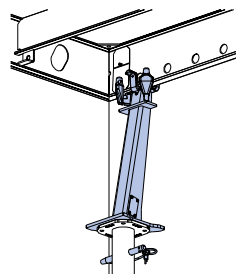
## Wall head

The wall head makes starting work at the wall easier – although it is not absolutely necessary.

**Use as wall head**



**Use as corner head**



Length of floor prop when wall head used minus 56 cm



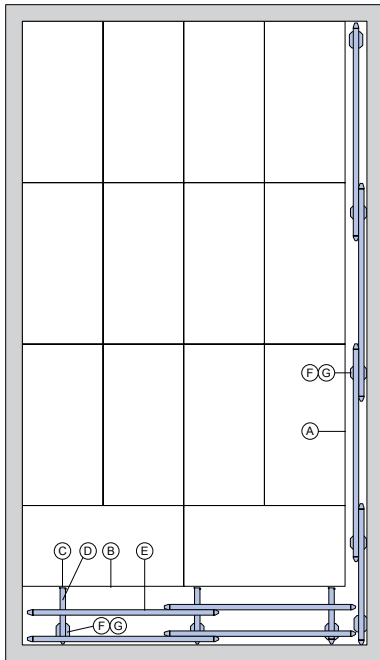
For more information see the User Information booklet:  
[www.doka.com/dokaxdek-panel-ai](http://www.doka.com/dokaxdek-panel-ai)

The following are excerpts from the User Information booklet (UI). The contents of the User Information booklet must be taken into account for planning and implementation.

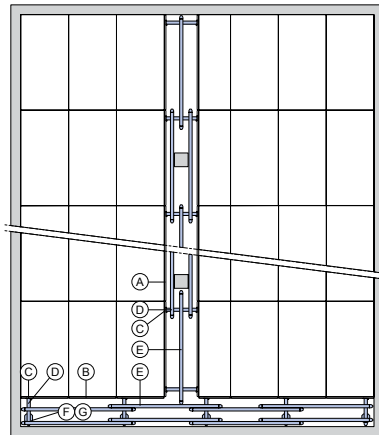
# Closure zones

## Practical examples

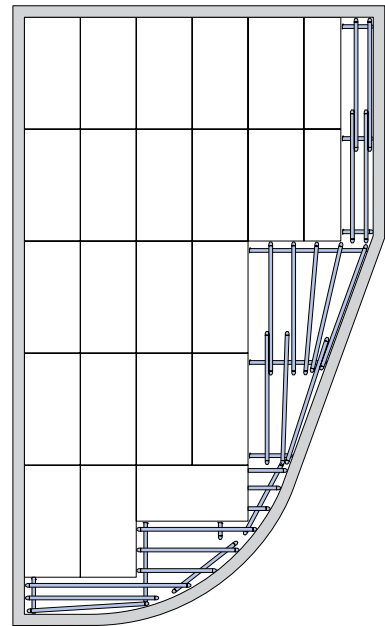
### L-shaped infill zone



### T-shaped infill zone

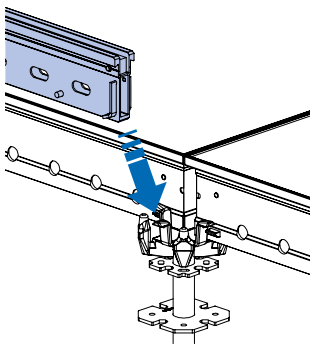


### Adapting to difficult layout shapes

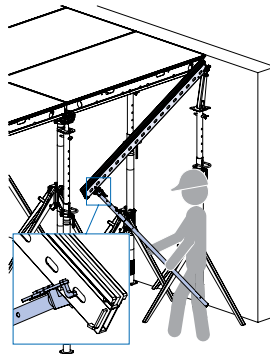


- A** DokaXdek infill beam 2.00m
- B** DokaXdek infill beam 1.00m or 0.75m
- C** DokaXdek suspension clamp H
- D** Doka beam H20 as primary beam
- E** Doka beam H20 as secondary beam
- F** Doka floor prop Eurex 20 top + Removable folding tripod
- G** 4-way head

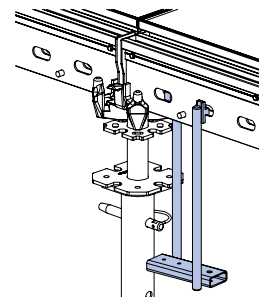
## Assembly



Hook the infill beams into the support heads (see the section headed 'Installing the infill beams').



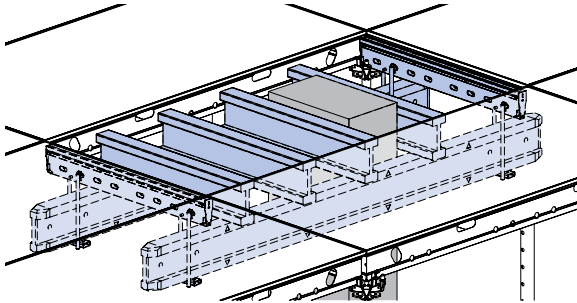
The infill beam is easily swivelled up into position with the assembling tool.



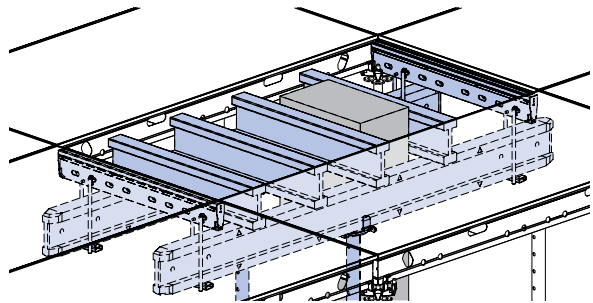
Hook the suspension clamps into the infill beams **as close to the floor props as possible**.

## Practical example – Column located inside panel-field (variant 1)

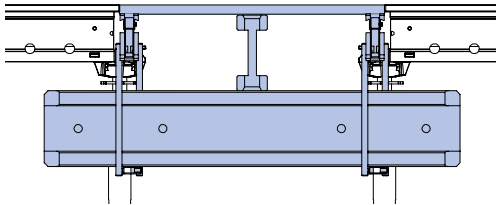
Slab thickness  $\leq 40$  cm



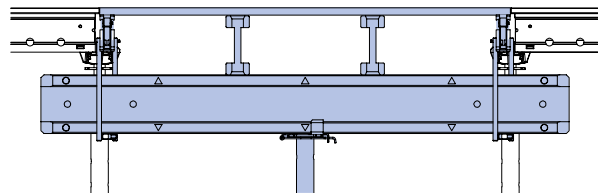
Slab thickness  $> 40$  cm



Practical example:  
Infill width 'a'  $\leq 110$  cm

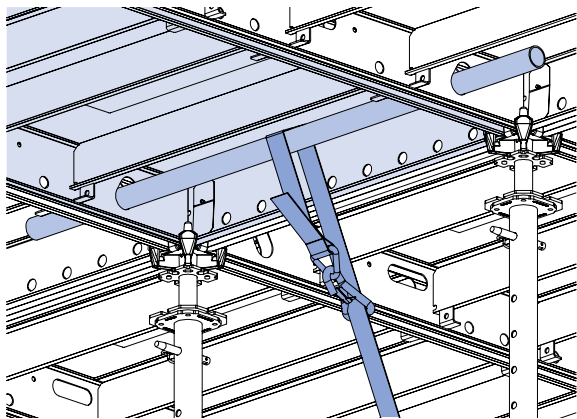


Practical example: Infill width  
'a'  $> 110$  cm (with intermediate prop)

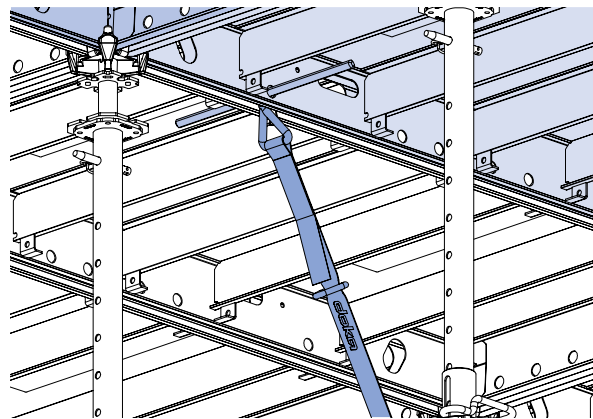


## Bracing

Bracing of 3 DokaXdek panels with scaffold tube



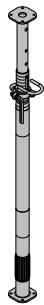
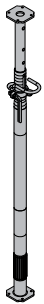
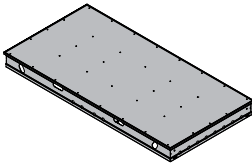
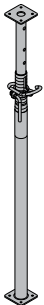
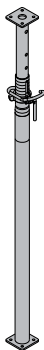

Bracing of 2 panels with tie rod 15.0


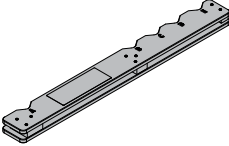

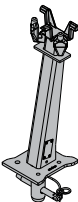
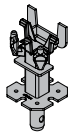
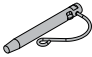

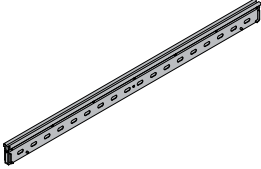
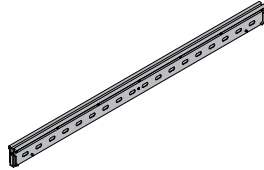
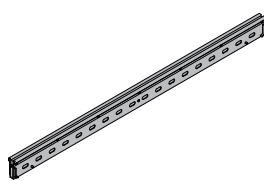

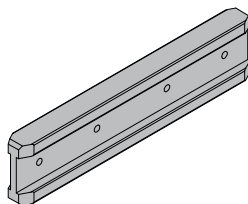
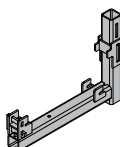
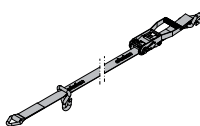
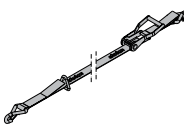
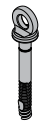



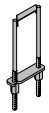

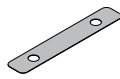
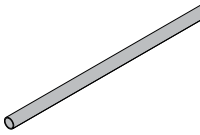

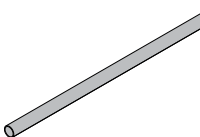

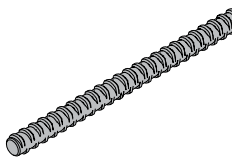

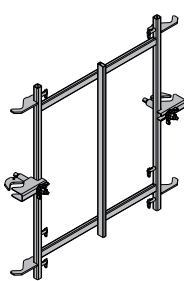

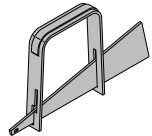
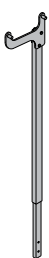
# DokaXdek panel floor formwork.


## Index of articles.


length x width x **flexibility**

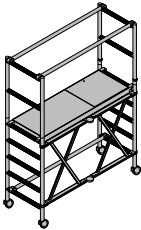
	[kg]	Article N°		[kg]	Article N°
<b>Doka floor prop Eurex 30 top 250</b> Length: 148 - 250 cm	12.8	586092400	<b>Doka floor prop Eurex 20 top 150</b> Length: 92 - 150 cm	8.0	586096000
<b>Doka floor prop Eurex 30 top 300</b> Length: 173 - 300 cm	16.4	586093400	<b>Doka floor prop Eurex 20 top 250</b> Length: 148 - 250 cm	12.7	586086400
<b>Doka floor prop Eurex 30 top 350</b> Length: 198 - 350 cm	20.7	586094400	<b>Doka floor prop Eurex 20 top 300</b> Length: 173 - 300 cm	14.3	586087400
<b>Doka floor prop Eurex 30 top 400</b> Length: 223 - 400 cm	24.6	586095400	<b>Doka floor prop Eurex 20 top 350</b> Length: 198 - 350 cm	17.4	586088400
<b>Doka floor prop Eurex 30 top 450</b> Length: 248 - 450 cm	29.1	586119400	<b>Doka floor prop Eurex 20 top 400</b> Length: 223 - 400 cm	21.6	586089400
<b>Doka floor prop Eurex 30 top 550</b> Length: 303 - 550 cm	38.6	586129000	<b>Doka floor prop Eurex 20 top 550</b> Length: 298 - 550 cm	32.3	586090400
Doka-Deckenstütze Eurex 30 top Galvanised			<b>Doka floor prop Eurex 20 top 700</b> Length: 383 - 700 cm Doka-Deckenstütze Eurex 20 top Galvanised	48.0	586139000
					
<b>DokaXdek panel 1.00x2.00m A</b> <b>DokaXdek panel 0.75x2.00m A</b>	33.5 27.3	584000000 584001000	<b>Doka floor prop Eurex 20 eco 250</b> Length: 148 - 250 cm	11.5	586270000
Powder-coated yellow			<b>Doka floor prop Eurex 20 eco 300</b> Length: 173 - 300 cm	14.0	586271000
			<b>Doka floor prop Eurex 20 eco 350</b> Length: 198 - 350 cm	16.9	586272000
			<b>Doka floor prop Eurex 20 eco 400</b> Length: 223 - 400 cm	20.5	586273000
<b>Doka floor prop Eurex 30 eco 250</b> Length: 148 - 250 cm	12.8	586000000	<b>Doka floor prop Eurex 20 eco 450</b> Length: 248 - 450 cm	24.1	586275000
<b>Doka floor prop Eurex 30 eco 300</b> Length: 173 - 300 cm	16.3	586001000	<b>Doka floor prop Eurex 20 eco 550</b> Length: 298 - 550 cm	32.0	586276000
<b>Doka floor prop Eurex 30 eco 350</b> Length: 198 - 350 cm	20.7	586002000	Doka-Deckenstütze Eurex 20 eco Galvanised		
<b>Doka floor prop Eurex 30 eco 400</b> Length: 223 - 400 cm	24.2	586003000			
<b>Doka floor prop Eurex 30 eco 450</b> Length: 248 - 450 cm	28.5	586004000			
Doka-Deckenstütze Eurex 30 eco Galvanised			<b>Removable folding tripod top</b> Stützbein top	12.0	586155500
			Galvanised Height: 80 cm Delivery condition: folded closed		
					

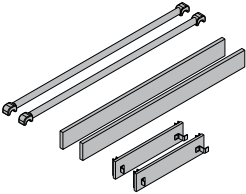
	[kg]	Article N°		[kg]	Article N°
<b>Removable folding tripod 1.20m</b> Stützbein 1,20m  <p>Galvanised Height: 120 cm Delivery condition: folded closed</p>	20.7	586145000			
<b>DokaXdek wall clamp</b> DokaXdek-Wandhalter  <p>Dark brown</p>	4.2	183082000			
<b>DokaXdek support head</b> DokaXdek-Auflagerkopf  <p>Galvanised</p>	3.6	584005000			
<b>DokaXdek wall head</b> DokaXdek-Wandkopf  <p>Galvanised</p>	4.8	584006000			
<b>DokaXdek connecting head</b> DokaXdek-Verbindungskopf  <p>Galvanised</p>	3.3	584007000			
<b>Spring locked connecting pin 16mm</b> Federbolzen 16mm  <p>Galvanised Length: 15 cm</p>	0.25	582528000			
<b>Floor prop spring clamp</b> Federklammer Deckenstütze  <p>Powder-coated</p>	0.08	586169000			
<b>DokaXdek infill beam 18mm 2.00m</b> <b>DokaXdek infill beam 18mm 1.00m</b> <b>DokaXdek infill beam 18mm 0.75m</b> DokaXdek infill beam 18mm  <p>powder-coated light grey</p>	8.1 4.2 3.2	584008000 584011000 584014000			
<b>DokaXdek infill beam 21mm 2.00m</b> <b>DokaXdek infill beam 21mm 1.00m</b> <b>DokaXdek infill beam 21mm 0.75m</b> DokaXdek infill beam 21mm  <p>Powder-coated yellow</p>	8.5 4.1 3.1	584009000 584012000 584015000			
<b>DokaXdek infill beam 27mm 2.00m</b> <b>DokaXdek infill beam 27mm 1.00m</b> <b>DokaXdek infill beam 27mm 0.75m</b> DokaXdek infill beam 27mm  <p>powder-coated dark grey</p>	8.3 4.2 3.2	584010000 584013000 584016000			
<b>DokaXdek suspension clamp H</b> DokaXdek-Einhängebügel H  <p>Galvanised Width: 14.5 cm Height: 35.8 cm</p>	1.3	584033000			
<b>DokaXdek system beam H20 eco P 0.90m</b> DokaXdek-Systemträger H20 eco P 0,90m  <p>Varnished yellow</p>	4.0	189975000			
<b>DokaXdek handrail-post shoe XP</b> DokaXdek-Geländerschuh XP  <p>Galvanised</p>	6.0	584034000			
<b>Lashing strap 5.00m 2G</b> Zurrgurt 5,00m 2G  <p>Yellow</p>	2.9	586018500			
<b>Lashing strap 5.00m</b> Zurrgurt 5,00m  <p>Yellow</p>	2.8	586018000			
<b>Doka express anchor 16x125mm</b> Doka-Expressanker 16x125mm  <p>Galvanised Length: 18 cm</p>	0.31	588631000			

	[kg]	Article N°		[kg]	Article N°
<b>Doka coil 16mm</b> Doka-Coil 16mm  <p>Galvanised Diameter: 1.6 cm</p>	0.009	588633000	<b>Brace stirrup 8</b> Spannbügel 8  <p>Galvanised Width: 19 cm Height: 46 cm Width-across: 30 mm</p>	2.7	582751000
<b>Information plate for express anchor</b> Plakette Expressanker  <p>PS Width: 8 cm Height: 7.5 cm</p>	0.1	588630000	<b>Safety plate for brace stirrup 8</b> Sicherungsblech für Spannbügel 8  <p>Red Length: 23 cm</p>	0.05	582753000
<b>Scaffold tube 48.3mm 1.00m</b> Gerüstrohr 48,3mm 1,00m  <p>Galvanised</p>	3.6	682014000	<b>DokaXdek assembling tool</b> DokaXdek-Montagegestange  <p>Aluminium</p>	3.1	584017000
<b>Scaffold tube 48.3mm 1.50m</b> Gerüstrohr 48,3mm 1,50m  <p>Galvanised</p>	5.4	682015000	<b>Dokadek assembling tool extension 2.00m</b> Dokadek-Montagegestangenverlängerung 2,00m  <p>Aluminium</p>	1.5	586538000
<b>Tie rod 15.0mm non-treated 0.50m</b> Ankerstab 15,0mm unbehandelt 0,50m  <p><b>DIN</b> 18216</p>	0.73	581870000	<b>DokaXdek suspension tool</b> DokaXdek-Einhängestange  <p>Aluminium Galvanised</p>	3.3	584018000
<b>Bracing frame Eurex 1.00m</b> Aufstellrahmen Eurex 1,00m  <p>Galvanised Height: 111 cm</p>	15.5	586596000	<b>Diagonal cross 9.200</b> Diagonalkreuz 9.200  <p>Galvanised Delivery condition: folded closed</p>	6.6	582774000
<b>Bracing clamp B</b> Verschwertungsklammer B  <p>Painted blue Length: 36 cm</p>	1.4	586195000	<b>Dokadek stripping tool</b> Dokadek-Ausschalwerkzeug  <p>Powder-coated yellow Length: 212 cm</p>	5.0	586541000

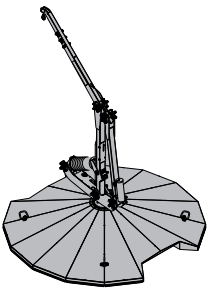
	[kg]	Article N°
<b>Dokadek stripping tool extension 1.50m</b> Dokadek-Ausschalwerkzeugverlängerung 1,50m Powder-coated yellow	3.1	586559000
		


<b>Platform stairway 0.97m</b> Podesttreppe 0,97m	23.5	586555000
Aluminium Width: 121 cm Pay attention to the national, technical safety regulations!		
		


<b>Wheel-around scaffold DF</b> Mobilgerüst DF	44.0	586157000
Aluminium Length: 185 cm Width: 80 cm Height: 255 cm Delivery condition: separate parts		
		


<b>Wheel-around scaffold DF accessory set</b> Zubehörset Mobilgerüst DF	13.3	586164000
Aluminium Timber parts varnished yellow Length: 189 cm		
		


## FreeFalcon


<b>FreeFalcon</b> FreeFalcon	450.0	583034000
Red Length: 225 cm Width: 208 cm Height: 235 cm Follow the directions in the "Operating Instructions"!		
		

<b>Mast cover FreeFalcon</b> Abdeckung Mast FreeFalcon	3.8	583027000
Red		
		

<b>Base-plate cover FreeFalcon</b> Abdeckung Sockelplatte FreeFalcon	3.2	583026000
Red		
		

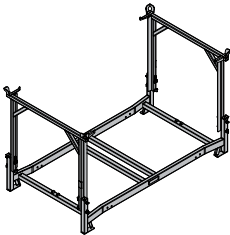
	[kg]	Article N°
<b>Safety harness FreeFalcon</b> Auffanggurt FreeFalcon	1.5	583036000
		
Follow the directions in the "Operating Instructions"!		
		CE

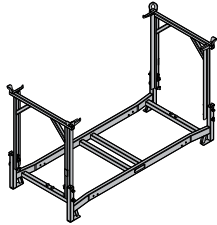
<b>Fall arrester FreeFalcon 9.00m</b> Höhensicherungsgerät FreeFalcon 9,00m	3.8	583035000
Follow the directions in the "Operating Instructions"!		
		
		CE

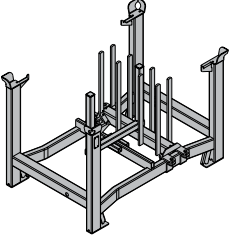
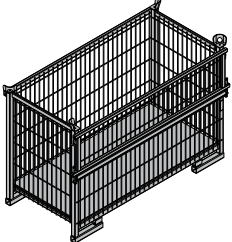
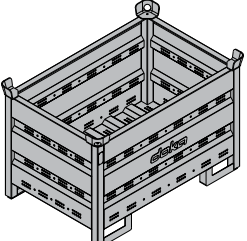
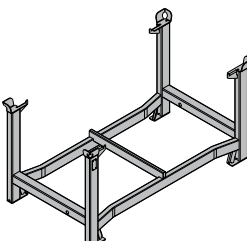
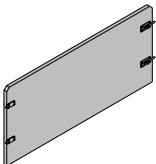
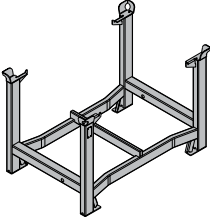
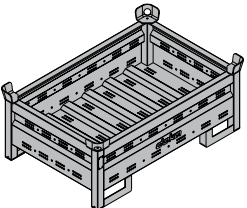
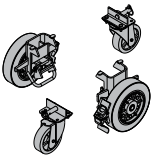
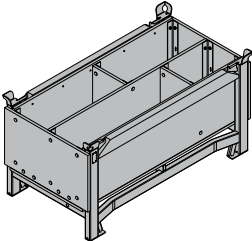
<b>Fall arrester FreeFalcon 6.00m</b> Höhensicherungsgerät FreeFalcon 6,00m	3.3	583039000
Follow the directions in the "Operating Instructions"!		
		
		CE

<b>Case for safety accessories FreeFalcon</b> Koffer Sicherheitszubehör FreeFalcon	1.5	583037000
		

## Multi-trip packaging

<b>DokaXdek panel pallet 1.00x2.00m</b> DokaXdek-Elementpalette 1,00x2,00m Galvanised	77.0	584041000
		

<b>DokaXdek panel pallet 0.75x2.00m</b> DokaXdek-Elementpalette 0,75x2,00m Galvanised	70.0	584040000
		

	[kg]	Article N°		[kg]	Article N°
<b>Dokadek infill beam pallet</b> Dokadek-Ausgleichsträgerpalette  <p>Galvanised  Length: 119 cm  Width: 79 cm  Height: 81 cm</p>	62.0	586528000	<b>Doka skeleton transport box 1.70x0.80m</b> Doka-Gitterbox 1,70x0,80m  <p>Galvanised  Height: 113 cm</p>	87.0	583012000
<b>Doka multi-trip transport box 1.20x0.80m</b> Doka-Mehrwegcontainer 1,20x0,80m  <p>Galvanised  Height: 78 cm</p>	70.0	583011000	<b>Doka stacking pallet 1.55x0.85m</b> Doka-Stapelpalette 1,55x0,85m  <p>Galvanised  Height: 77 cm</p>	41.0	586151000
<b>Multi-trip transport box partition 0.80m</b> <b>Multi-trip transport box partition 1.20m</b> Mehrwegcontainer Unterteilung  <p>Steel parts galvanised  Timber parts varnished yellow</p>	3.7 5.5	583018000 583017000	<b>Doka stacking pallet 1.20x0.80m</b> Doka-Stapelpalette 1,20x0,80m  <p>Galvanised  Height: 77 cm</p>	38.0	583016000
<b>Doka multi-trip transport box 1.20x0.80x0.41m</b> Doka-Mehrwegcontainer 1,20x0,80x0,41m  <p>Galvanised</p>	42.5	583009000	<b>Bolt-on castor set B</b> Anklemm-Radsatz B  <p>Painted blue</p>	33.6	586168000
<b>Doka accessory box</b> Doka-Kleinteilebox  <p>Timber parts varnished yellow  Steel parts galvanised  Length: 154 cm  Width: 83 cm  Height: 77 cm</p>	106.4	583010000			





# Concremote concrete monitoring

Concremote has sensors to measure the temperature of the concrete. It uses this data to calculate strength development in the concrete structure. This enables you to plan your construction project more effectively and gives you round-the-clock access to real-time data. So you can gauge concrete performance and initiate the necessary measures at exactly the right time.

When is the **earliest possible stripping time?**

Which concrete mix will be the **most cost-effective?**



Want to know how easy it is to use the recoverable slab sensor 2.0? Scan here!



## Your benefits



### Save time

- **Shorter cycle times**, especially when CO<sub>2</sub>-reduced concrete is used
- Reduced total build time



### Increase safety

- Collaborative decisions on the basis of real-time data
- **Documentation** of all measured data



### Enhance concrete quality

- Critical activities only when concrete has hardened to **sufficient strength**
- Defined time for concrete finishing measures

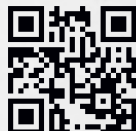


### Reduce costs

- **Reduced site overheads** on account of shorter construction time
- Savings from optimisation of the concrete mixtures



Real-time data, push notifications and much more. Download the Concremote app to your device now:



iOS



Android

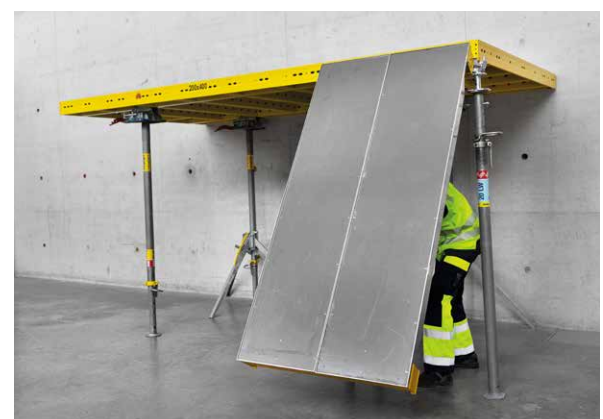
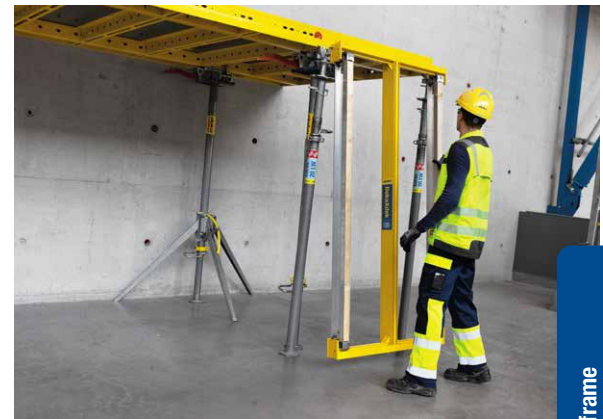
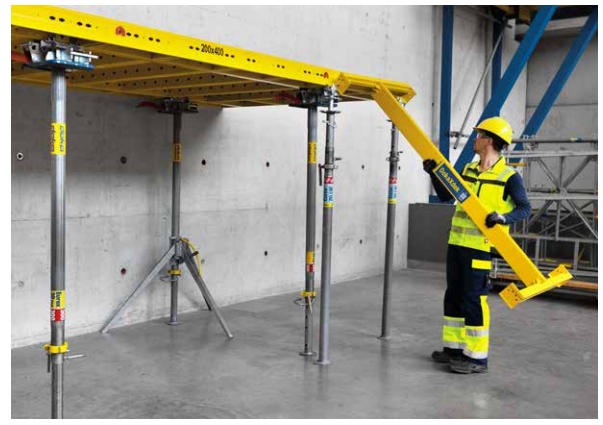
\*DokaXdek I-frame is a demonstration version.

# DokaXdek I-frame

length × width × ergonomics

The DokaXdek I-frame\* very smartly separates frame, panel and sheeting. Weighing only 13 kg, the DokaXdek I-frame offers improved ergonomics so it reduces the physical strain on your workers. Combines very simply with the DokaXdek panel, permitting even wider flexibility for dealing with complicated geometries. With the versatile support head and the same smart anti-liftout guard as the DokaXdek panel, the DokaXdek I-frame greatly enhances safety, versatility and above all ergonomics on floor-slabbing construction sites.





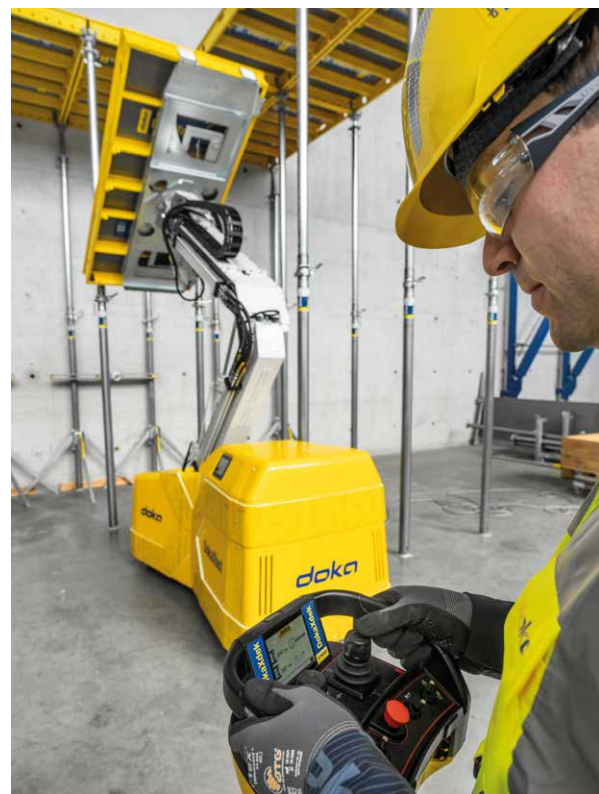
# DokaXbot.

length × width × **automation**

Doka has taken a huge step toward automation on floor-slabbing construction sites with the DokaXbot\*. Safe and fast formworking of slabs at heights up to 5.2 m and formworking at the slab edge are effortless tasks for the DokaXbot. The DokaXbot is dimensioned to pass through doorway-sized openings, so it can work virtually anywhere. An operator pre-positions it at the right place. The DokaXdek panels and DokaXdek I-frames are semi-automatically lifted to the preset height and set in place.

\*DokaXbot is a demonstration version.





# Formwork expertise always close at hand.



## Doka Deutschland GmbH

---

### Doka Deutschland GmbH

Frauenstraße 35  
82216 Maisach  
T +49 8141 394-0  
deutschland@doka.com

### Branch Berlin

Meistergasse 1-3  
15366 Hoppegarten  
T +49 3342 398-3  
berlin@doka.com

### Branch Bonn

Klarenplatz 13  
53578 Windhagen  
T +49 2645 9534-0  
bonn@doka.com

### Branch Dresden

Hirschfelder Straße 15  
01683 Nossen  
T +49 35242 440-0  
dresden@doka.com

### Branch Düsseldorf

Gewerbering 17  
41751 Viersen  
T +49 2162 8163-0  
duesseldorf@doka.com

### Branch Erfurt

Ludwig-Edinger-Straße 3  
99510 Apolda  
T +49 3644 51428-0  
erfurt@doka.com

### Branch Frankfurt

Am Kupferwerk 16  
65462 Ginsheim-Gustavsburg  
T +49 6134 2546-0  
frankfurt@doka.com

### Branch Frankfurt/Oder

Eisenbahnstraße 12-14  
15517 Fürstenwalde  
T +49 3361 37640-0  
frankfurt-oder@doka.com

### Branch Hamburg

Heidekoppel 10  
24558 Henstedt-Ulzburg  
T +49 4193 9907-0  
hamburg@doka.com

### Branch Hannover

Senefelderstraße 19  
30880 Laatzen  
T +49 511 262993  
hannover@doka.com

### Branch Leipzig

Montgolfierstraße 6  
04509 Wiedemar  
T +49 34207 611-0  
leipzig@doka.com

### Branch Luxembourg

3, rue Henri Tudor  
5366 Munsbach  
T +352 261532-0  
luxembourg@doka.com

### Branch Magdeburg

Haldensleber Straße 1  
39326 Hohenwarleben  
T +49 39204 788-0  
magdeburg@doka.com

### Branch Munich

Frauenstraße 35  
82216 Maisach  
T +49 8141 394-0  
muenchen@doka.com

### Branch Nuremberg

Weidentalstraße 8  
90518 Altdorf  
T +49 9187 9512-0  
nuernberg@doka.com

### Branch Osnabrück

Am Schürholz 3  
49078 Osnabrück  
T +49 541 685312-0  
osnabrueck@doka.com

### Branch Rostock

Beim Handweiser 3  
18311 Ribnitz-Damgarten  
T +49 3821 70984-0  
rostock@doka.com

### Branch Stuttgart

Hermann-Gebauer-Straße 2  
71093 Weil im Schönbuch  
T +49 7031 74247-0  
stuttgart@doka.com

## Doka Österreich GmbH

---

### Doka Österreich GmbH

Josef Umdasch Platz 1  
3300 Amstetten  
T +43 7472 605-0  
oesterreich@doka.com

### Branch Graz

Mühlfelderweg 24  
8055 Graz  
T +43 316 295 673  
graz@doka.com

### Branch Salzburg

Plainfelder Straße 17  
5303 Thalgau  
T +43 6235 6061  
salzburg@doka.com

### Branch West

Schießstand 7  
6401 Inzing  
T +43 5238 5600  
west@doka.com

### Branch Vienna/LA/Bgld

Doka-Straße 1  
2100 Stetten  
T +43 2262 23034  
wien@doka.com

## Doka Schweiz AG

---

### Doka Schweiz AG

Industriestrasse 24  
8155 Niederhasli  
T +41 43 411 20 40  
doka-schweiz@doka.com



**For information go to:**

[www.doka.com/DokaXdek](http://www.doka.com/DokaXdek)